

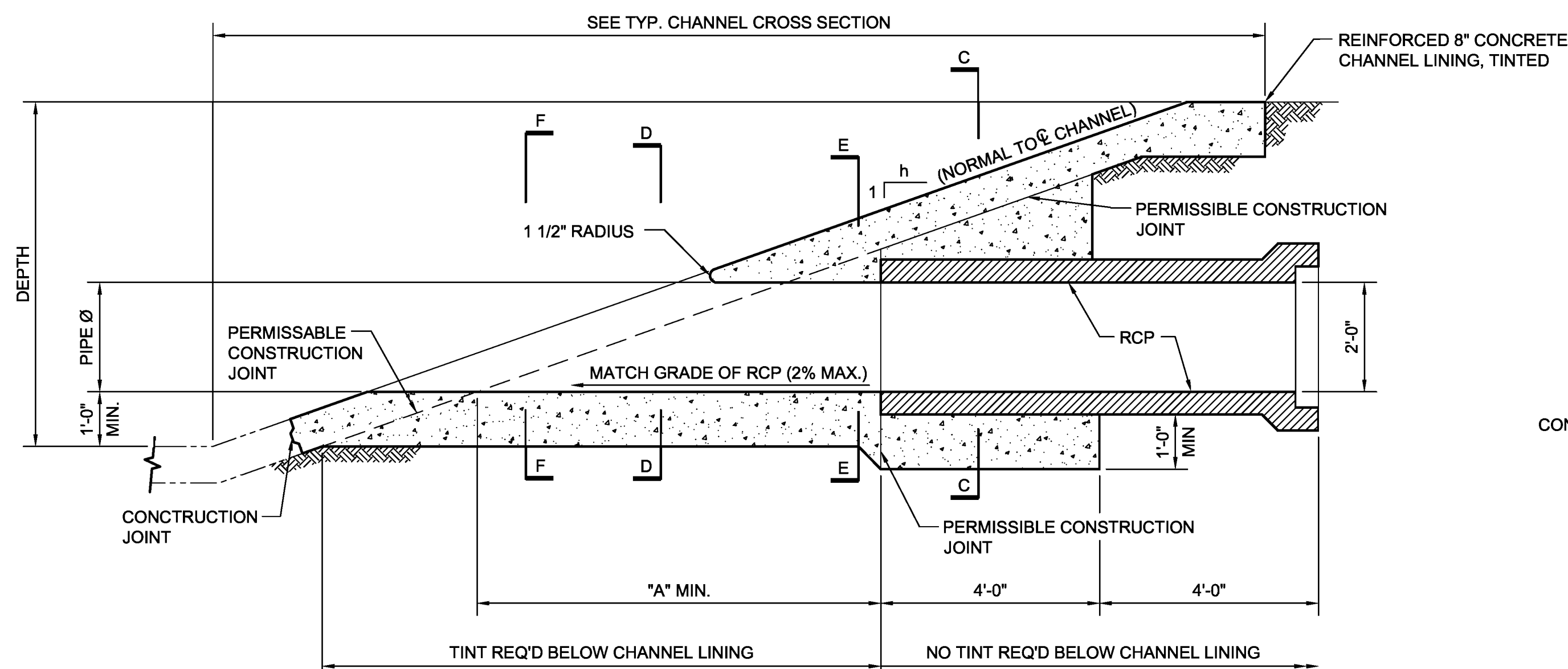
PIPE PENETRATION (PLAN VIEW)
NO SCALE

| SIDE SLOPE | DIMENSION "A" | | | | | | |
|------------|------------------------|-------|-------|--------|-------|--------|--------|
| | PIPE DIAMETER (INCHES) | | | | | | |
| 1.5:1 | 4'-8" | 5'-5" | 6'-2" | 6'-11" | 7'-8" | 8'-5" | 9'-2" |
| 2:1 | 5'-8" | 6'-8" | 7'-8" | 8'-8" | 9'-8" | 10'-8" | 11'-8" |

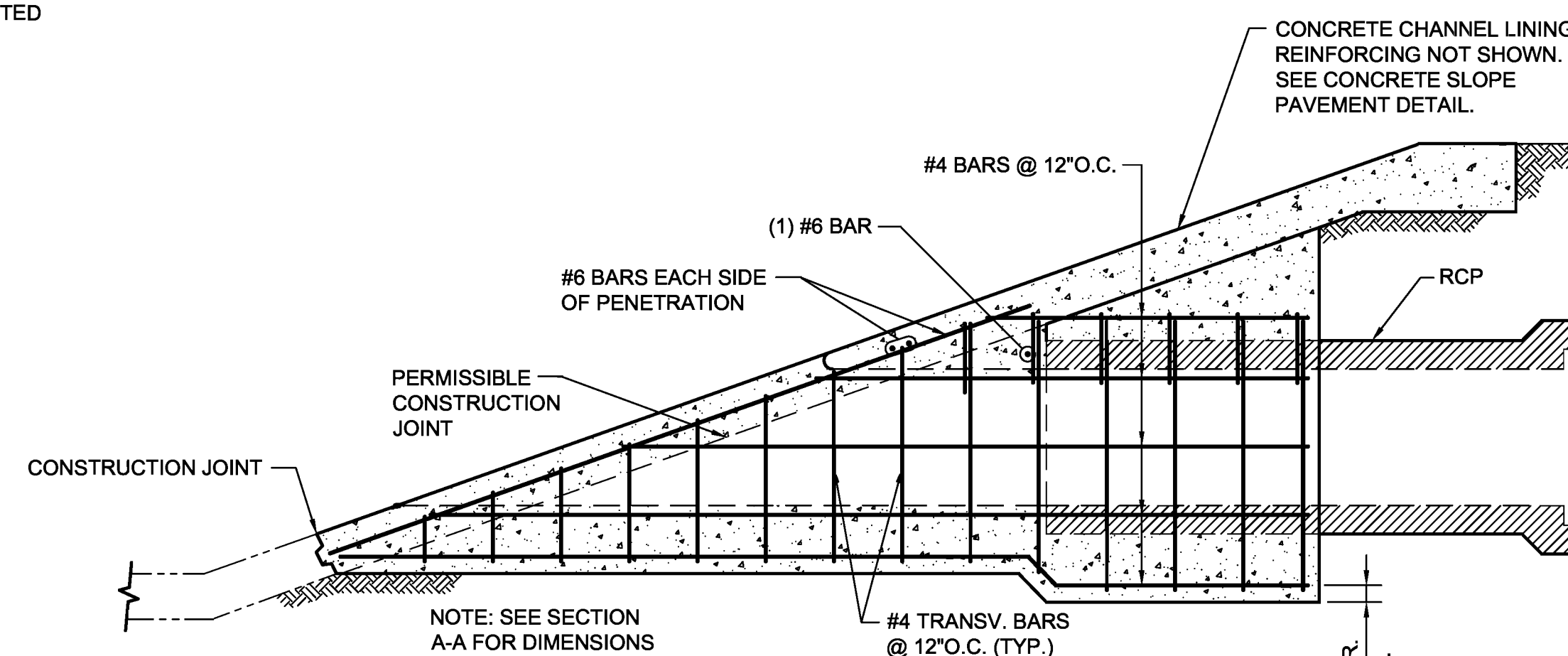
| SIDE SLOPE | DIMENSION "B" | | | | | | |
|------------|------------------------|-----|-------|-------|-------|-------|-------|
| | PIPE DIAMETER (INCHES) | | | | | | |
| 1.5:1 | 10" | 11" | 1'-1" | 1'-2" | 1'-3" | 1'-4" | 1'-6" |
| 2:1 | 10" | 11" | 1'-1" | 1'-2" | 1'-3" | 1'-4" | 1'-6" |

GENERAL NOTES:

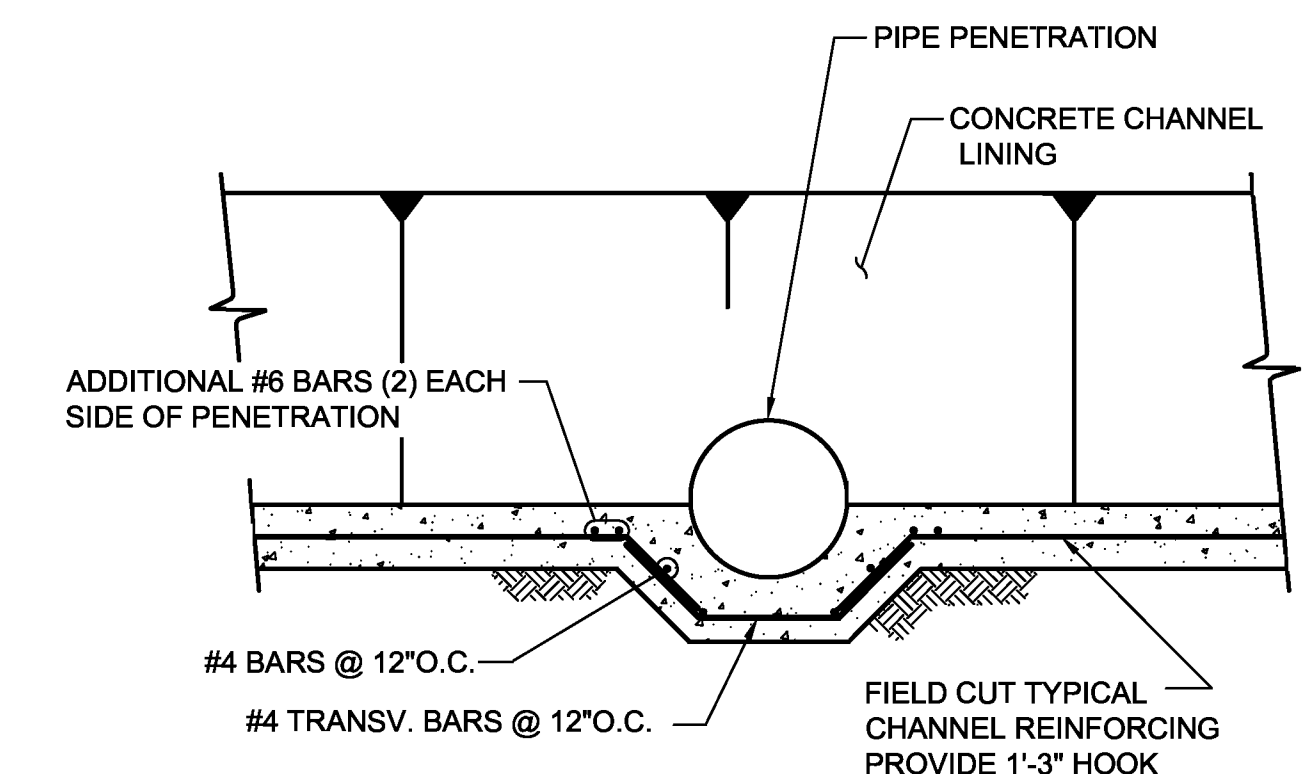
1. THE PIPE PENETRATION DETAILED HEREIN SHALL BE PAID FOR LUMP SUM AND SHALL BE COMPENSATION INCLUDED IN THIS WORK (BUT NOT LIMITED TO) IS GRADING, SUBGRADE PREPARATION, REINFORCED CONCRETE, CONSTRUCTION JOINTS, CONCRETE PLACEMENT AND FINISHING. NOTE THE MEASUREMENT FOR 8" CHANNEL LINING IS CONTINUOUS AND UNINTERRUPTED AT THE PENETRATION LOCATION.
2. ALL CULVERT PIPE PLACED UNDER THE CHANNEL LINING OR WITHIN AMAFCA RIGHT-OF-WAY SHALL BE RCP CLASS III MIN.
3. FOR PIPE PENETRATIONS INTO EXISTING CHANNELS, USE CHANNEL REMOVAL DETAILS FROM AMAFCA STANDARD DRAWING 102.



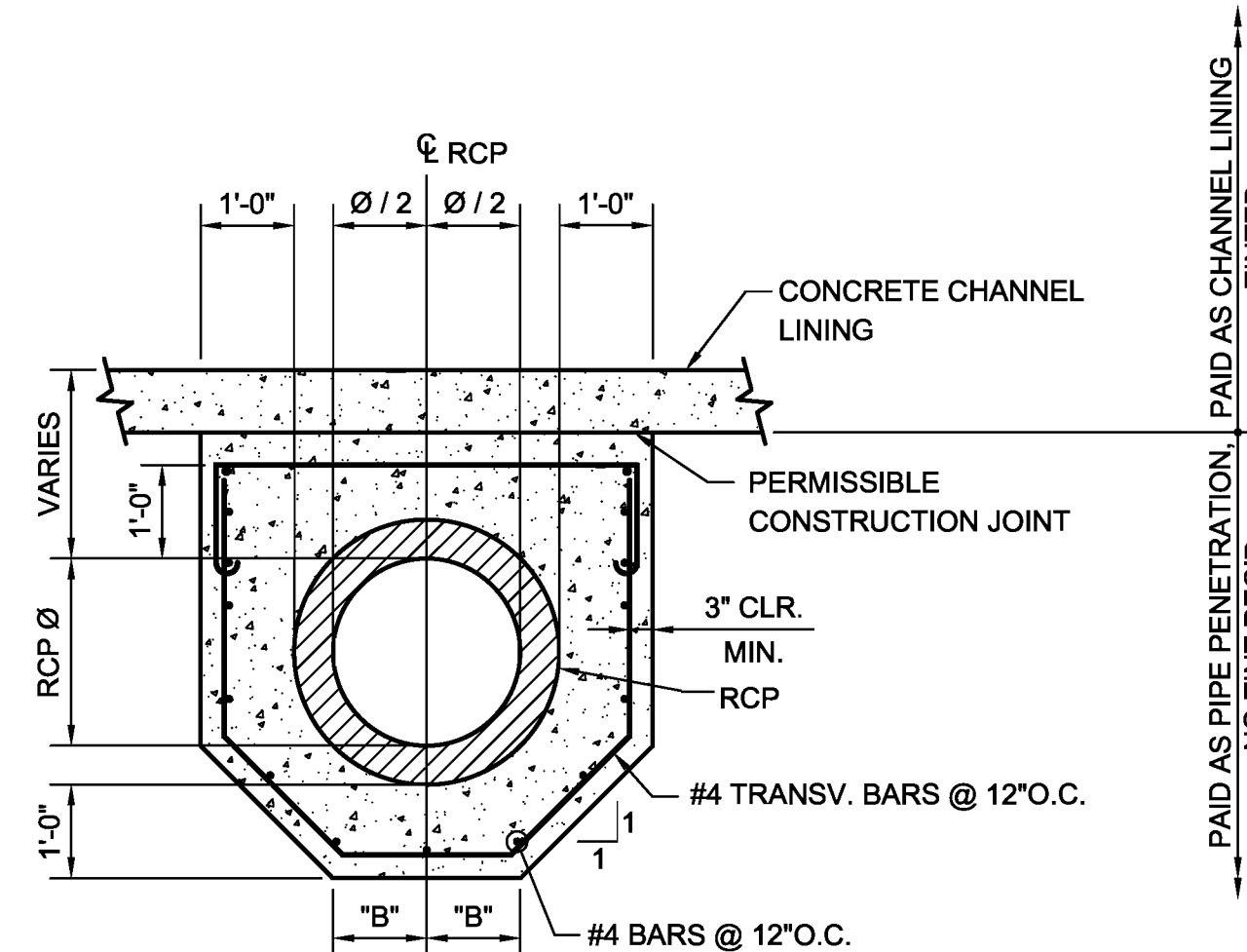
SECTION A-A
NO SCALE



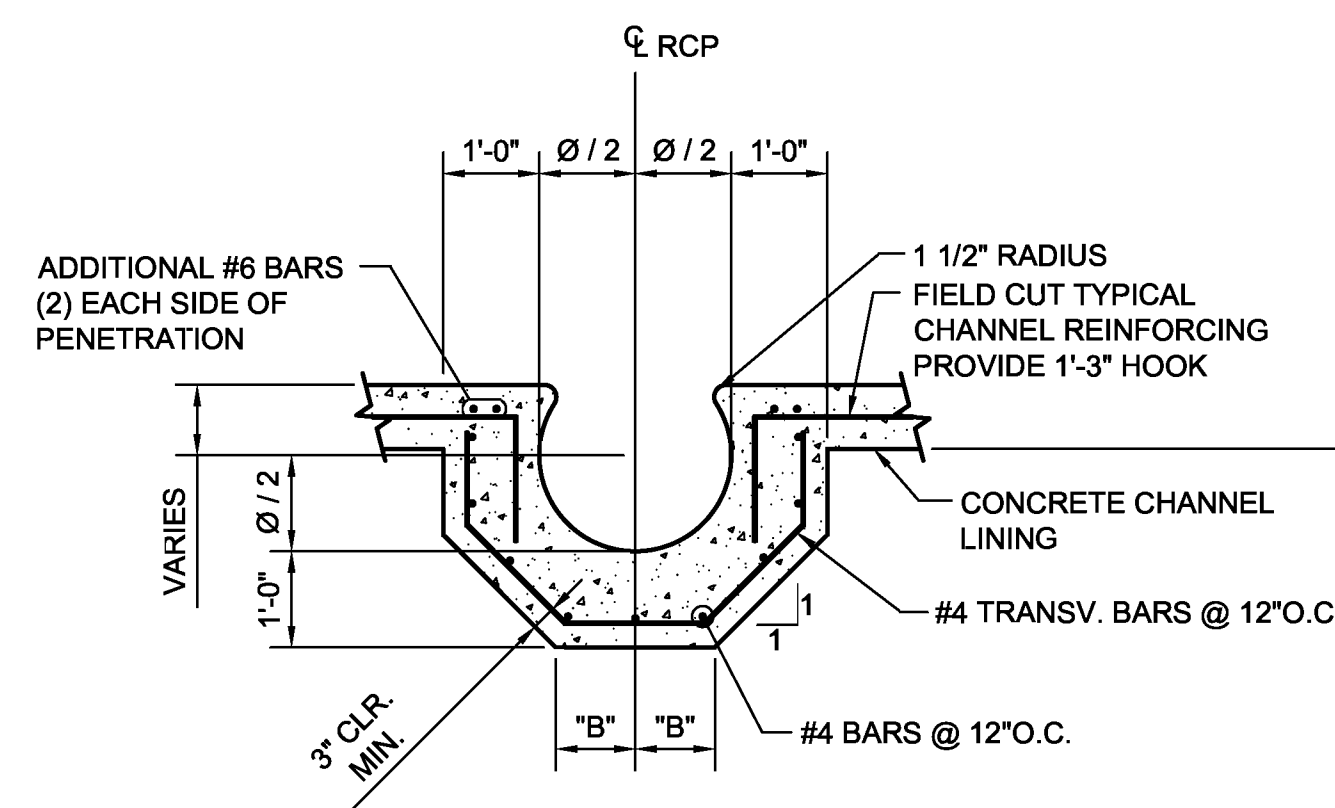
SECTION B-B
NO SCALE



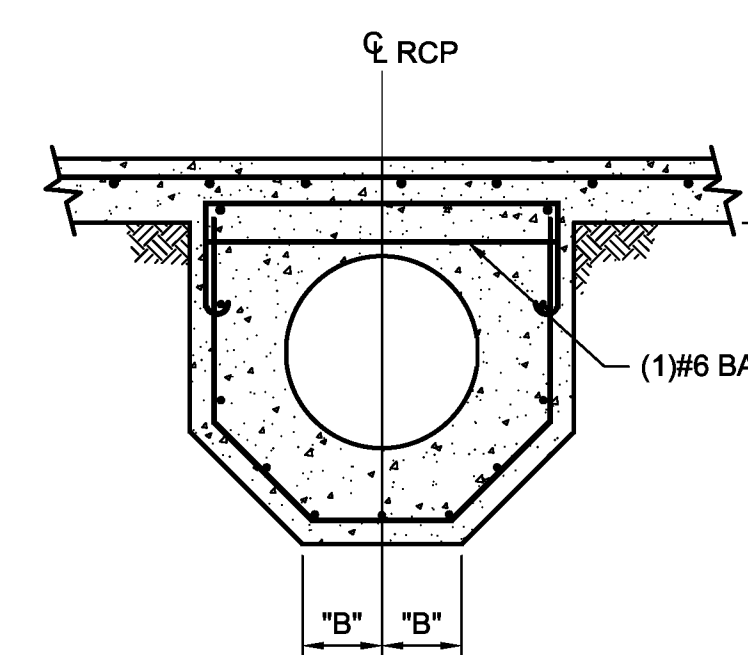
SECTION F-F
NO SCALE



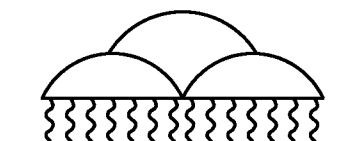
SECTION C-C
NO SCALE



SECTION D-D
NO SCALE



SECTION E-E
NO SCALE


ALBUQUERQUE METROPOLITAN
ARROYO FLOOD CONTROL AUTHORITY
 AMAFCA
 STANDARD DETAILS
 RCP CHANNEL PENETRATION
 PIPE DIAMETER > 12", 0° SKEW

| REV | DATE | DESCRIPTION | CHKD |
|-----|------|-------------|------|
| | | | |

| | | | |
|-----------------|---------|-------|----|
| DRAWING NO. 103 | MAP NO. | SHEET | OF |
|-----------------|---------|-------|----|