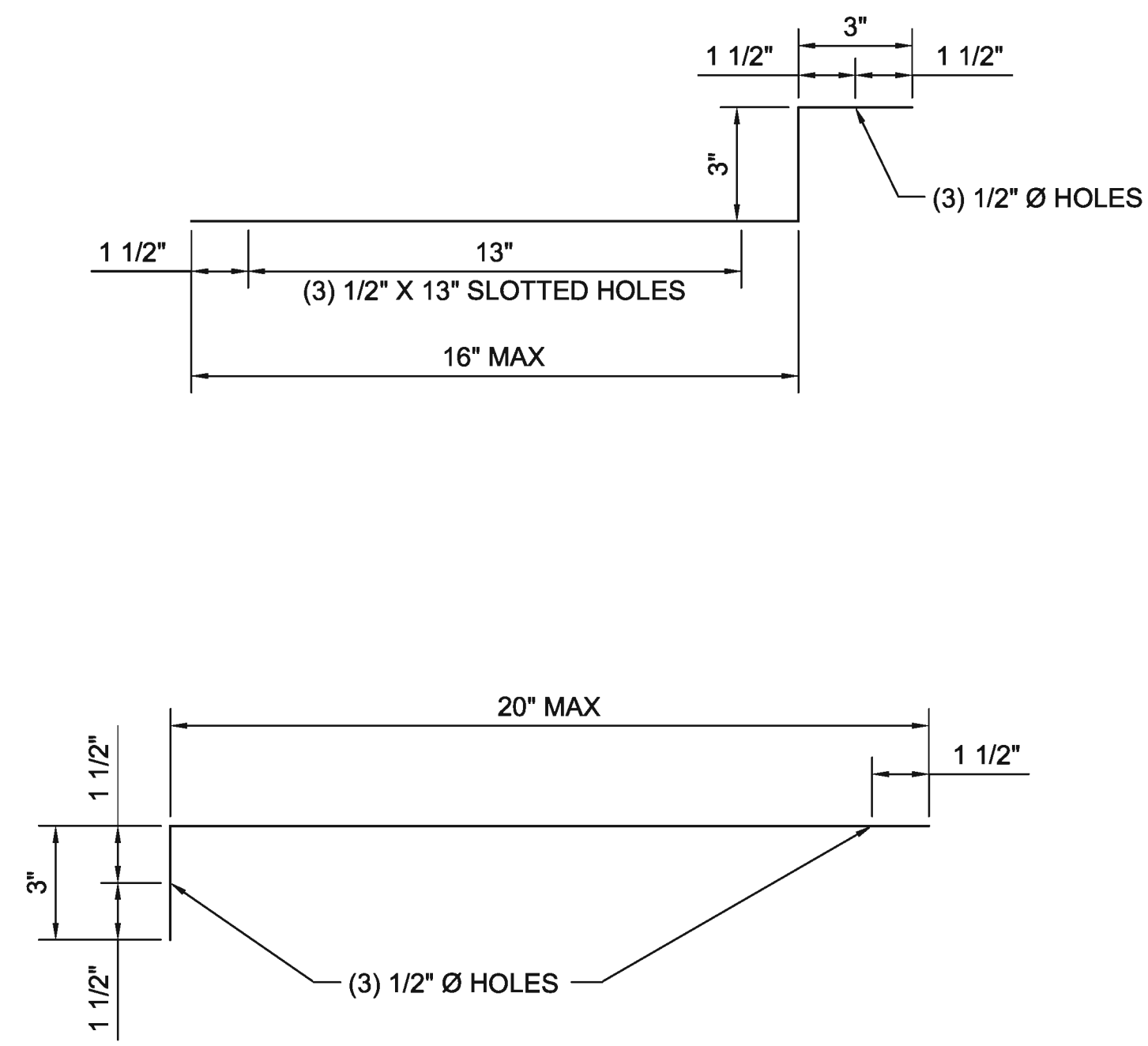
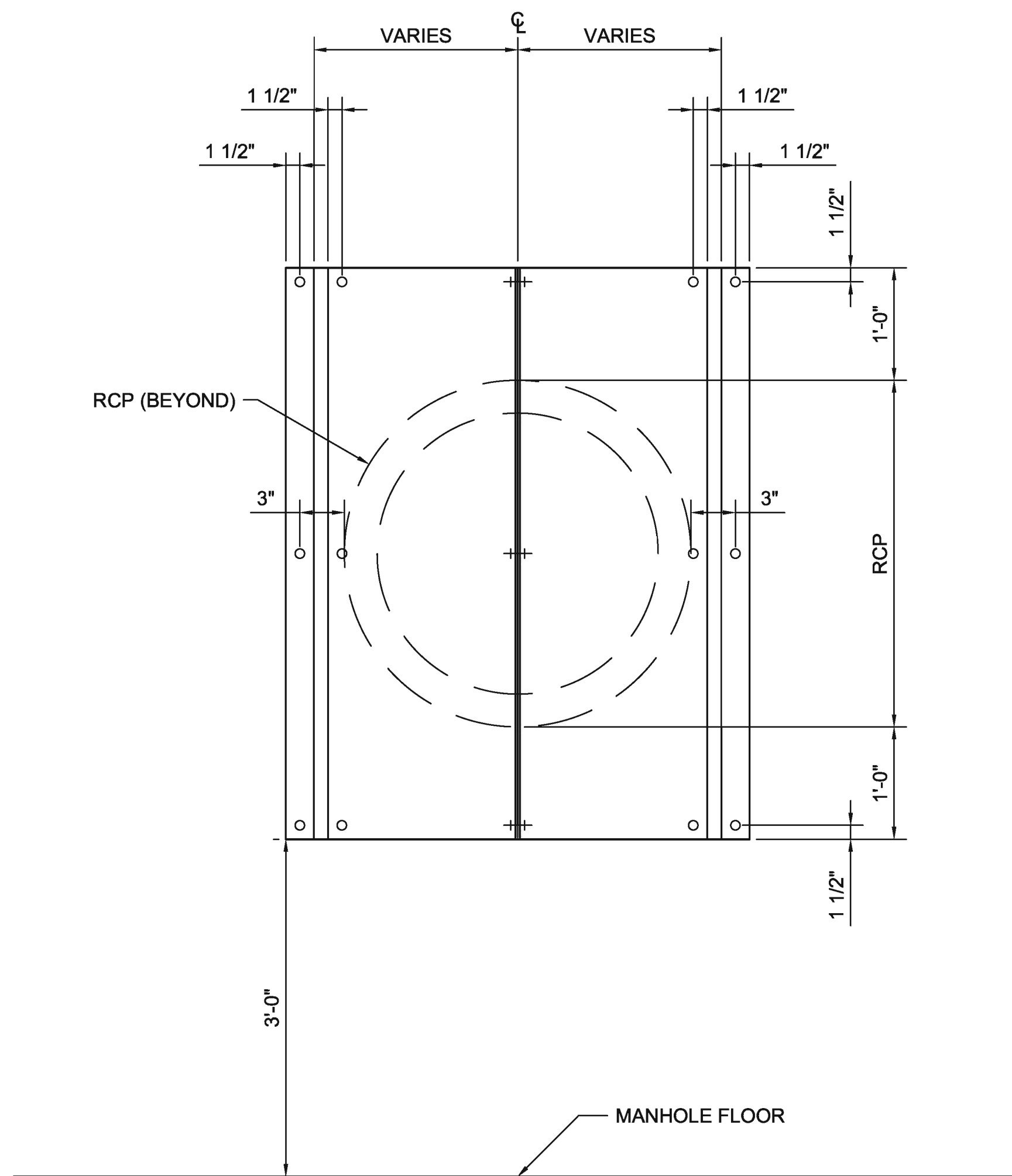


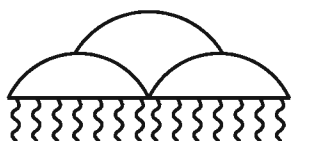
ALUMINUM BAFFLE PLAN
NO SCALE



ALUMINUM PLATE BEND DIAGRAM
NO SCALE



ALUMINUM BAFFLE ELEVATION
NO SCALE



**ALBUQUERQUE METROPOLITAN
ARROYO FLOOD CONTROL AUTHORITY**

AMAFCA
STANDARD DETAILS

WATER QUALITY MANHOLE
BAFFLE DETAILS

REV	DATE	DESCRIPTION	CHKD

DRAWING NO.	302	MAP NO.	SHEET OF
-------------	-----	---------	----------