

PIPE PENETRATION (PLAN VIEW)
NO SCALE

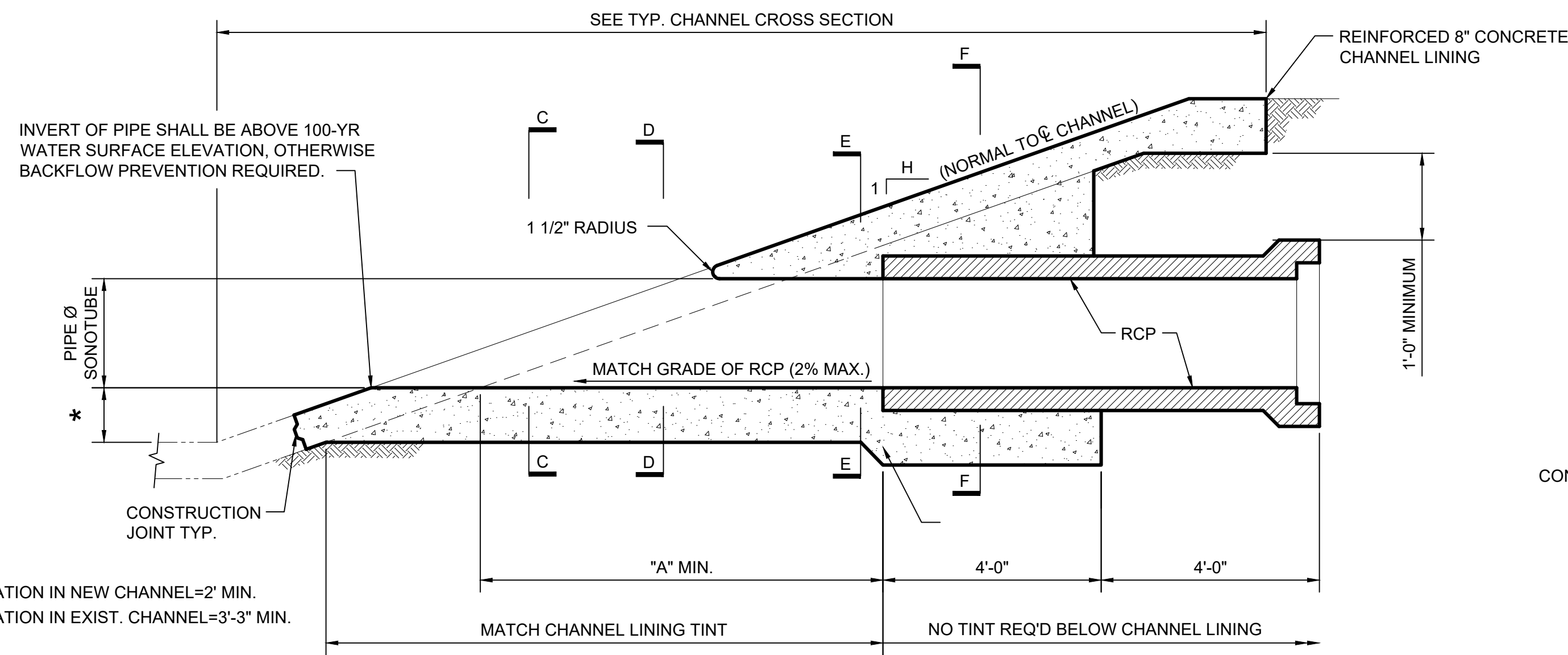
**IDENTIFY WHICH SLOPE AND SIZE PIPE WILL BE USED

SIDE SLOPE "H"	DIMENSION "A" **							
	PIPE DIAMETER (INCHES)							
	24	30	36	42	48	54	60	72
1.5:1	4'-8"	5'-5"	6'-2"	6'-11"	7'-8"	8'-5"	9'-2"	10'-8"
2:1	5'-8"	6'-8"	7'-8"	8'-8"	9'-8"	10'-8"	11'-8"	13'-8"

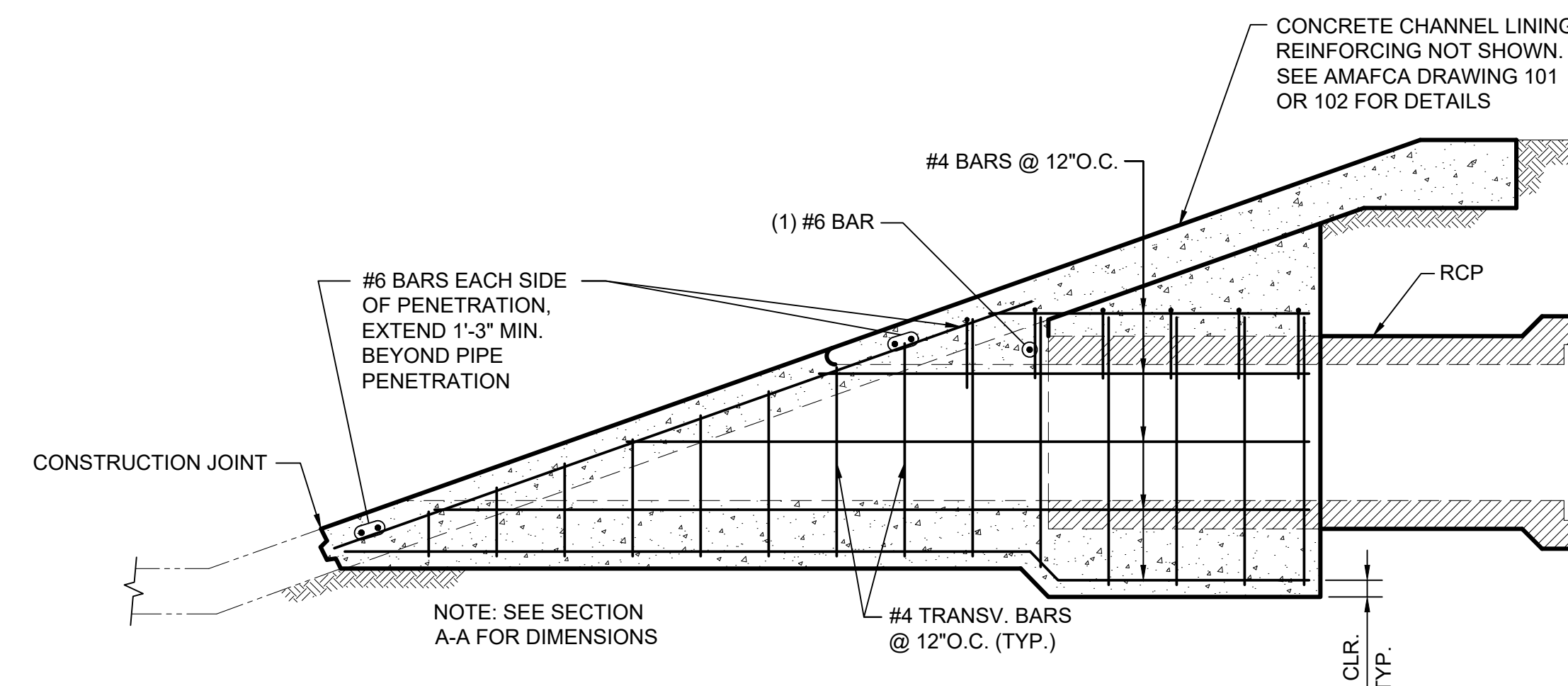
PIPE DIAMETER (INCHES)	DIMENSION "B" **						
	24	30	36	42	48	54	60
10"	11"	1'-1"	1'-2"	1'-3"	1'-4"	1'-6"	1'-8"

- GENERAL NOTES:**
- ALL PIPE PLACED UNDER THE CHANNEL LINING OR WITHIN AMAFCA RIGHT-OF-WAY SHALL BE RCP CLASS IV UNLESS OTHERWISE APPROVED BY AMAFCA. RCP PIPE SHALL NOT BE MITERED TO CHANNEL SLOPE.
 - FOR PIPE PENETRATIONS INTO EXISTING CHANNELS, USE CHANNEL REMOVAL DETAILS FROM AMAFCA STANDARD DRAWING 198. LIMITS OF REMOVAL SHALL BE APPROVED BY AMAFCA PRIOR TO SAWCUT.
 - WHERE LAP SPLICES IN REINFORCING OCCUR, THE MINIMUM LAP SHALL BE MADE AS FOLLOWS UNLESS OTHERWISE NOTED:

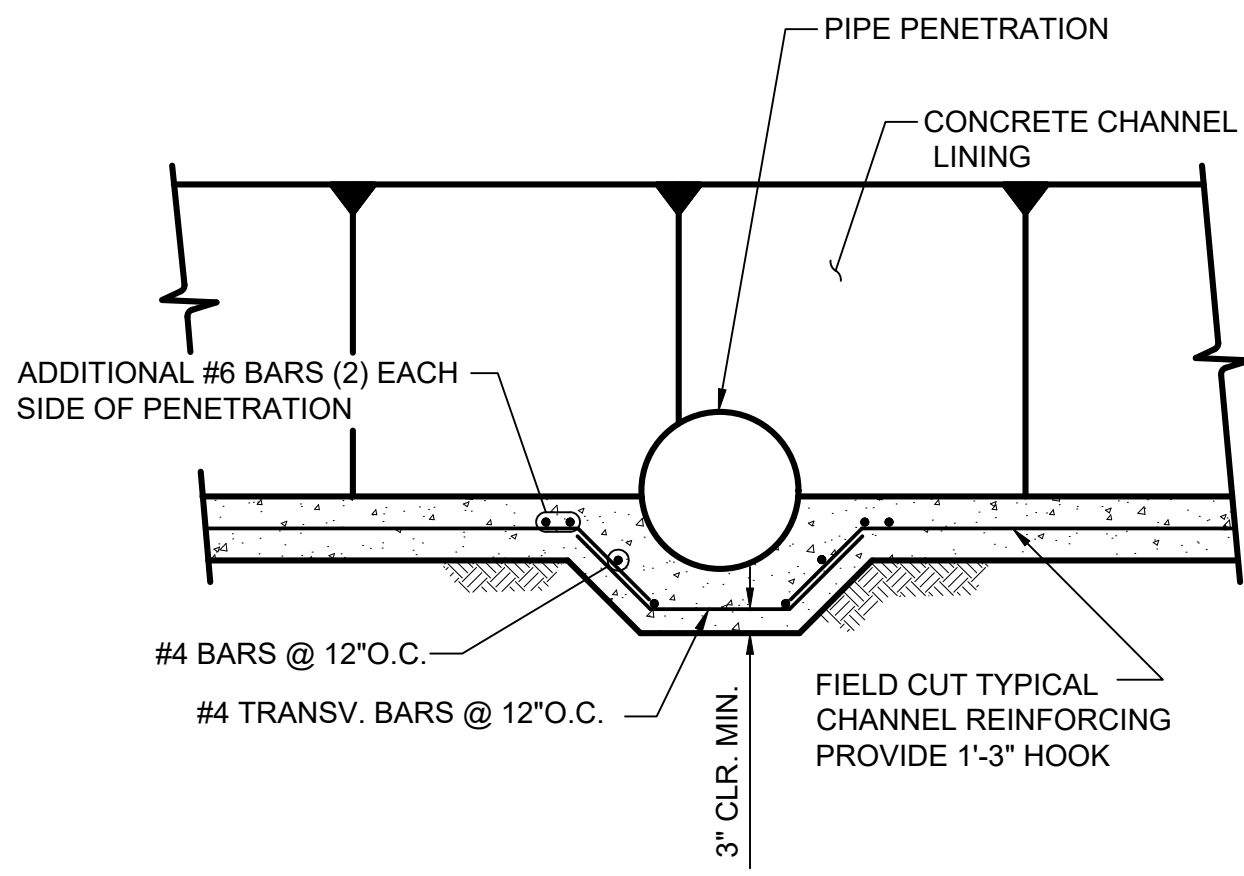
BAR SIZE	LAP SPLICE LENGTH
#4	2'-0"
#5	2'-6"
#6	3'-0"
#7	3'-6"
#8	4'-6"
 - INSPECTION OF PIPE PENETRATION REINFORCEMENT REQUIRED PRIOR TO PLACEMENT. MINIMUM 48 HOURS NOTICE REQUIRED TO AMAFCA PROJECT MANAGER



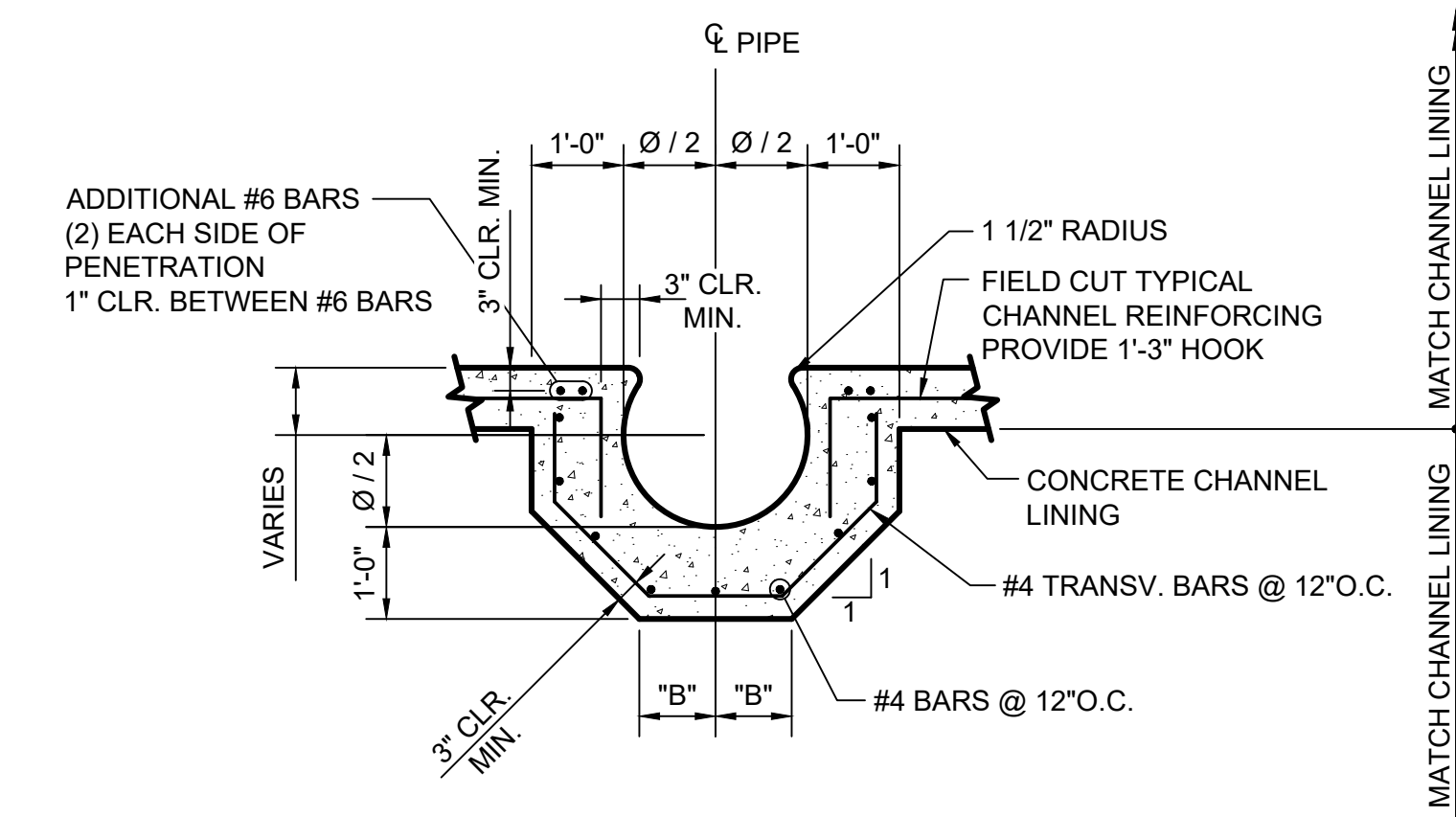
SECTION A-A
NO SCALE



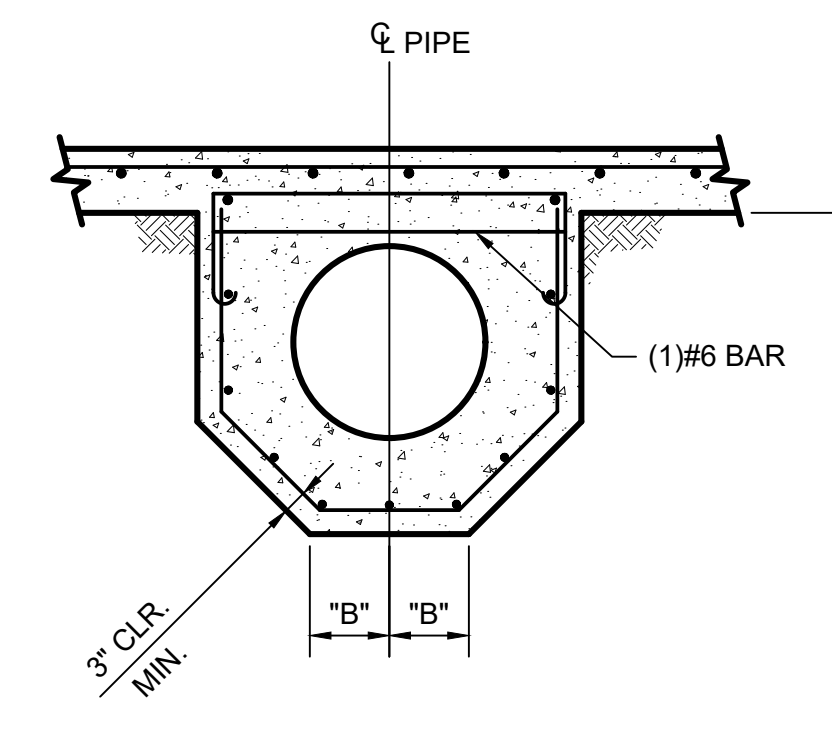
SECTION B-B
NO SCALE



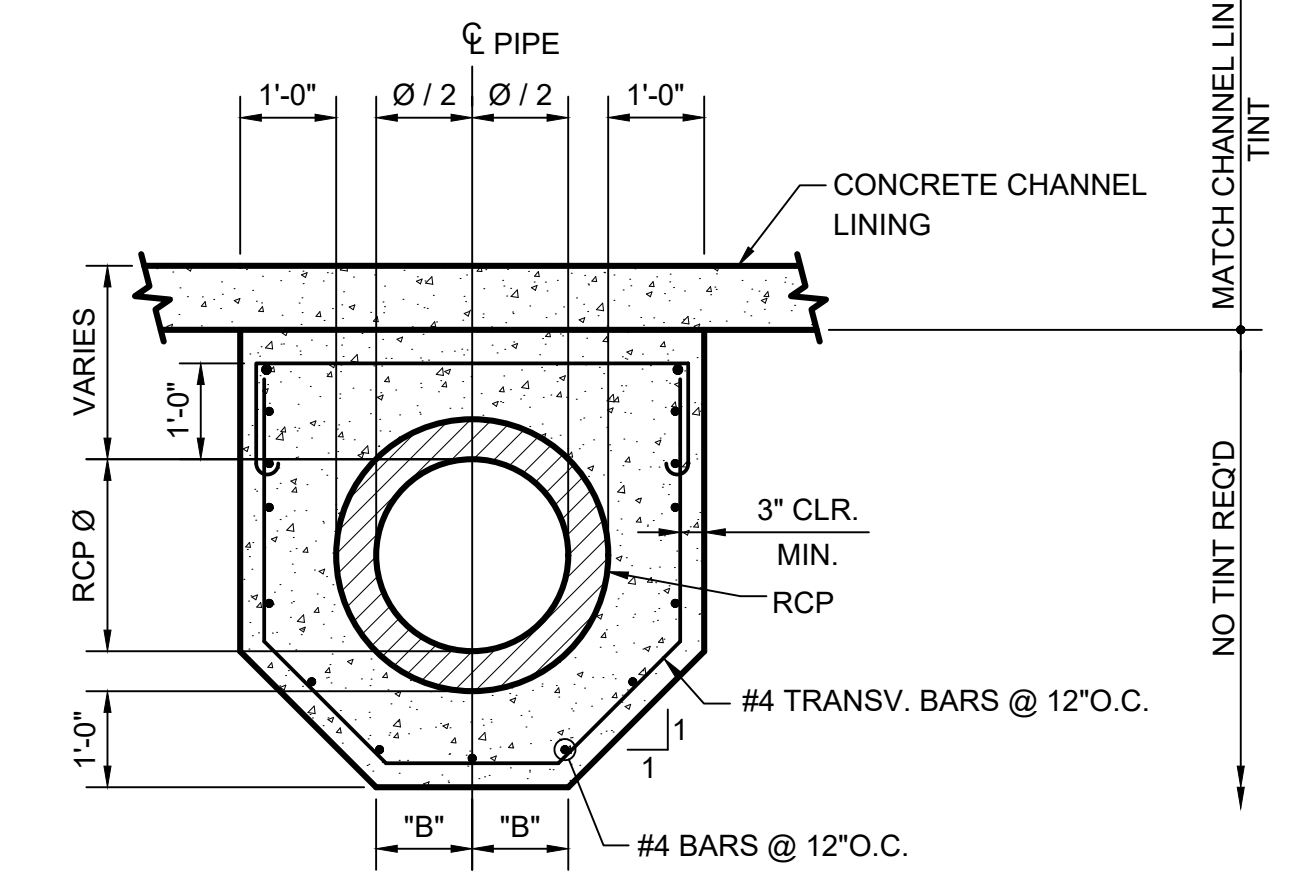
SECTION C-C
NO SCALE



SECTION D-D
NO SCALE



SECTION E-E
NO SCALE



SECTION F-F
NO SCALE