

NOTES:
 • AMAFCA HEADER NOT SHOWN.

ELEVATION BOLT PATTERN LAYOUT
 SCALE: 1/2"=1'-0"

ELEVATION 1'-0"
 VERTICAL ABOVE
 CHANNEL BOTTOM
 @ CENTERLINE

DIMENSION 'B'
 SEE TABLE (TYP)

DIMENSION 'B'
 SEE TABLE

DIMENSION 'B'
 SEE TABLE (TYP)

DIMENSION 'B'
 SEE TABLE

DIMENSION 'B'
 SEE TABLE (TYP)

DIMENSION 'B'
 SEE TABLE

DIMENSION 'B'
 SEE TABLE (TYP)

DIMENSION 'B'
 SEE TABLE

DIMENSION 'B'
 SEE TABLE (TYP)

DIMENSION 'B'
 SEE TABLE

DIMENSION 'B'
 SEE TABLE (TYP)

DIMENSION 'B'
 SEE TABLE

DIMENSION 'B'
 SEE TABLE (TYP)

DIMENSION 'B'
 SEE TABLE

DIMENSION 'B'
 SEE TABLE (TYP)

DIMENSION 'B'
 SEE TABLE

DIMENSION 'B'
 SEE TABLE (TYP)

DIMENSION 'B'
 SEE TABLE

DIMENSION 'B'
 SEE TABLE (TYP)

DIMENSION 'B'
 SEE TABLE

DIMENSION 'B'
 SEE TABLE (TYP)

DIMENSION 'B'
 SEE TABLE

DIMENSION 'B'
 SEE TABLE (TYP)

DIMENSION 'B'
 SEE TABLE

DIMENSION 'B'
 SEE TABLE (TYP)

DIMENSION 'B'
 SEE TABLE

DIMENSION 'B'
 SEE TABLE (TYP)

DIMENSION 'B'
 SEE TABLE

DIMENSION 'B'
 SEE TABLE (TYP)

DIMENSION 'B'
 SEE TABLE

DIMENSION 'B'
 SEE TABLE (TYP)

DIMENSION 'B'
 SEE TABLE

DIMENSION 'B'
 SEE TABLE (TYP)

DIMENSION 'B'
 SEE TABLE

DIMENSION 'B'
 SEE TABLE (TYP)

DIMENSION 'B'
 SEE TABLE

DIMENSION 'B'
 SEE TABLE (TYP)

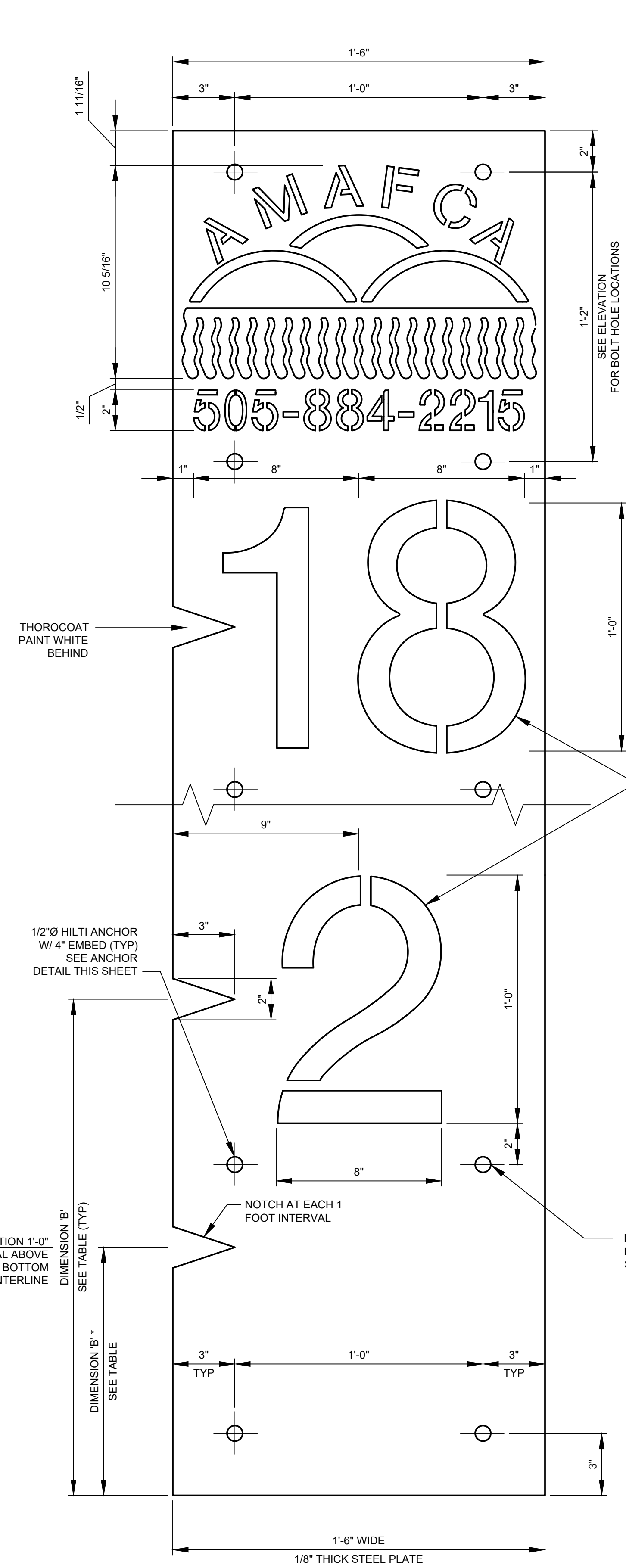
DIMENSION 'B'
 SEE TABLE

DIMENSION 'B'
 SEE TABLE (TYP)

DIMENSION 'B'
 SEE TABLE

DIMENSION 'B'
 SEE TABLE (TYP)

DIMENSION 'B'
 SEE TABLE



18 INCH WIDE SLOPED DEPTH MARKER
 SCALE: 3"=1'-0"

ELEVATION 1'-0"
 VERTICAL ABOVE
 CHANNEL BOTTOM
 @ CENTERLINE

DIMENSION 'B'
 SEE TABLE (TYP)

DIMENSION 'B'
 SEE TABLE

DIMENSION 'B'
 SEE TABLE (TYP)

DIMENSION 'B'
 SEE TABLE

DIMENSION 'B'
 SEE TABLE (TYP)

DIMENSION 'B'
 SEE TABLE

DIMENSION 'B'
 SEE TABLE (TYP)

DIMENSION 'B'
 SEE TABLE

DIMENSION 'B'
 SEE TABLE (TYP)

DIMENSION 'B'
 SEE TABLE

DIMENSION 'B'
 SEE TABLE (TYP)

DIMENSION 'B'
 SEE TABLE

DIMENSION 'B'
 SEE TABLE (TYP)

DIMENSION 'B'
 SEE TABLE

DIMENSION 'B'
 SEE TABLE (TYP)

DIMENSION 'B'
 SEE TABLE

DIMENSION 'B'
 SEE TABLE (TYP)

DIMENSION 'B'
 SEE TABLE

DIMENSION 'B'
 SEE TABLE (TYP)

DIMENSION 'B'
 SEE TABLE

DIMENSION 'B'
 SEE TABLE (TYP)

DIMENSION 'B'
 SEE TABLE

DIMENSION 'B'
 SEE TABLE (TYP)

DIMENSION 'B'
 SEE TABLE

DIMENSION 'B'
 SEE TABLE (TYP)

DIMENSION 'B'
 SEE TABLE

DIMENSION 'B'
 SEE TABLE (TYP)

DIMENSION 'B'
 SEE TABLE

DIMENSION 'B'
 SEE TABLE (TYP)

DIMENSION 'B'
 SEE TABLE

DIMENSION 'B'
 SEE TABLE (TYP)

DIMENSION 'B'
 SEE TABLE

DIMENSION 'B'
 SEE TABLE (TYP)

DIMENSION 'B'
 SEE TABLE

DIMENSION 'B'
 SEE TABLE (TYP)

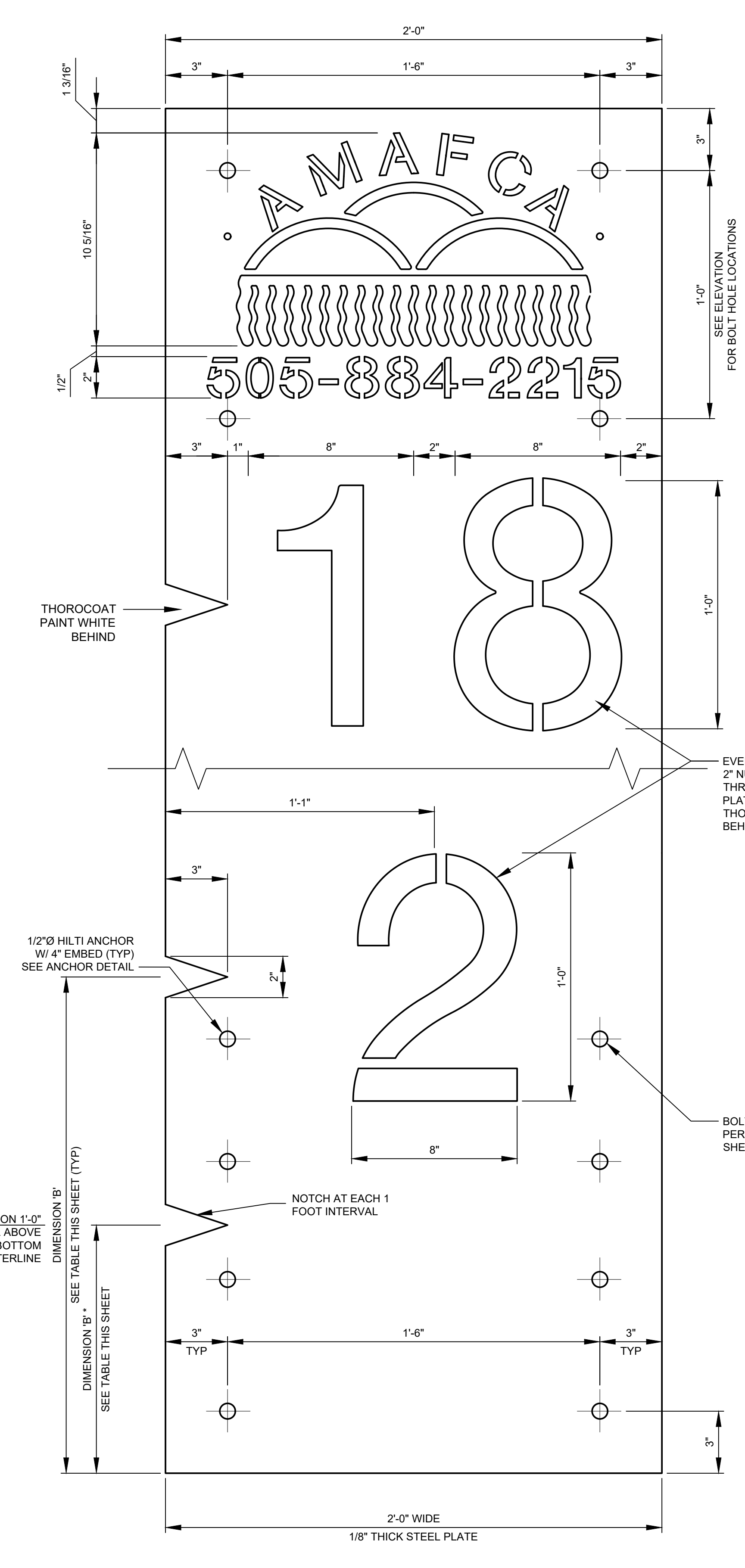
DIMENSION 'B'
 SEE TABLE

DIMENSION 'B'
 SEE TABLE (TYP)

DIMENSION 'B'
 SEE TABLE

DIMENSION 'B'
 SEE TABLE (TYP)

DIMENSION 'B'
 SEE TABLE



24 INCH WIDE SLOPED DEPTH MARKER
 SCALE: 3"=1'-0"

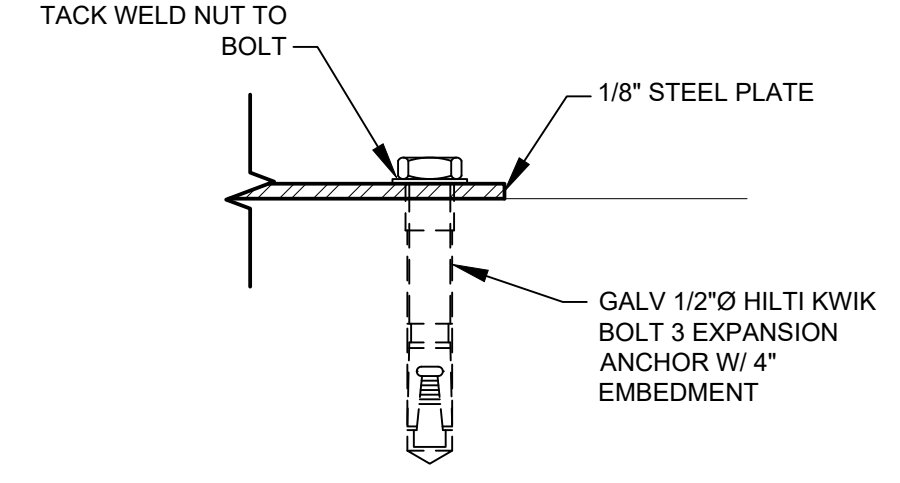
GENERAL NOTES

1. INSTALL TO LAST EVEN NUMBER 2'-0" FROM TOP OF CHANNEL OR STRUCTURE.
2. CLEAN SURFACE AND PROVIDE WHITE THOROCOAT PAINT BEHIND DEPTH MARKER PLATE. TAPE EDGES TO A CLEAN LINE.
3. SPLICE PLATES AT ODD MARKER LOCATIONS AND ADD CONNECTION 3" ABOVE AND BELOW SPLICE. TACK WELD AT ENDS AND AT 1/3 POINTS.

* MUST USE A TAPE WITH TENTHS

"B" DIMENSION TABLE	
DEPTH	FROM EXISTING/FINISH GRADE (FT.)
1	2.23
2	4.47
3	6.71
4	8.94
5	11.18
6	13.41
7	15.65
8	17.89
9	20.12
10	22.36
11	24.60
12	26.83
13	29.07
14	31.30
15	33.54
16	35.78
17	38.01
18	40.25
19	42.48
20	44.72
21	46.95
22	49.19
23	51.42
24	53.66
25	55.89
26	58.13
27	60.36
28	62.60
29	64.83
30	67.07

* TRIM BASE TO MATCH CHANNEL BOTTOM AND ADD BOLT HOLES 3" FROM NEW CUT LINE.



ANCHOR DETAIL
 SCALE: 3"=1'-0"

DIMENSION TABLE		
"A"	18"	24"
"X"	12"	18"
"Y"	2"	3"
"Z"	14"	12"