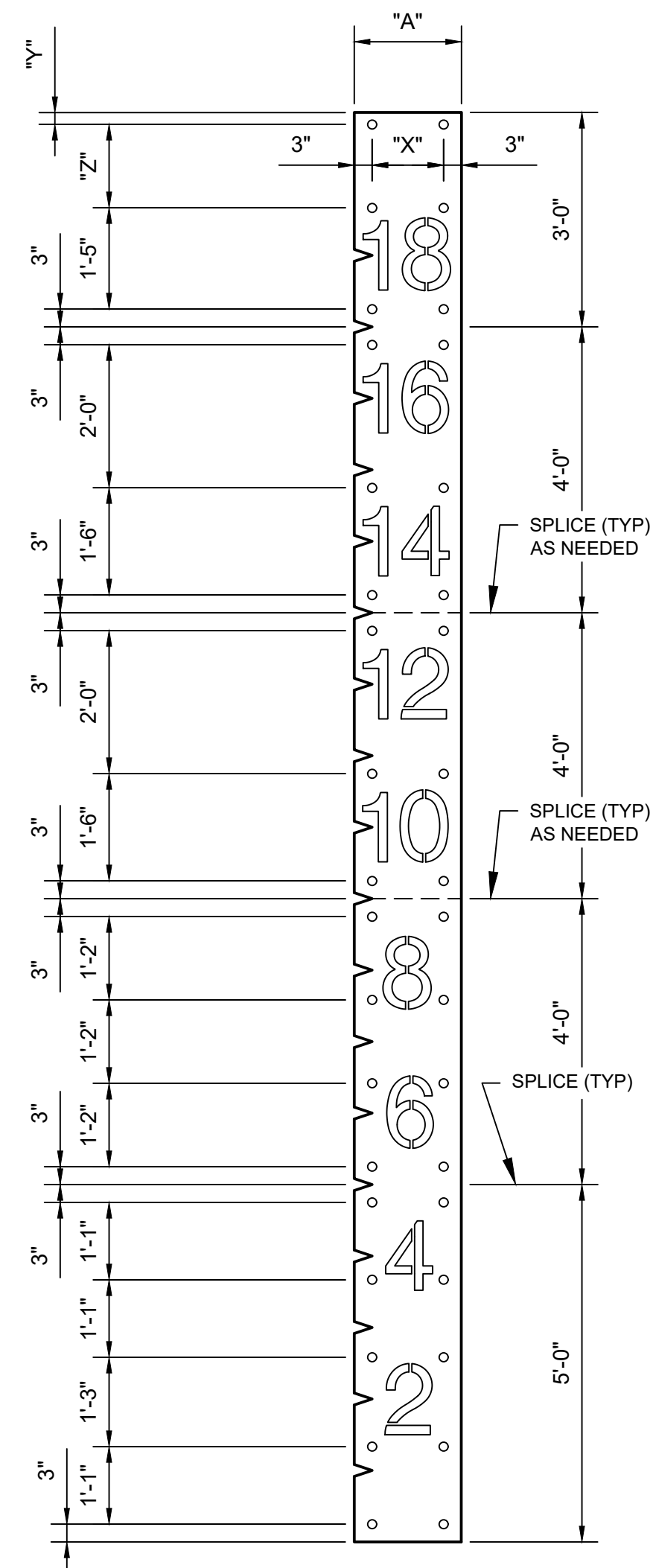


**GENERAL NOTES**

1. INSTALL TO LAST EVEN NUMBER 2'-0" FROM TOP OF CHANNEL OR STRUCTURE.
2. CLEAN SURFACE AND PROVIDE WHITE THOROCCOAT PAINT BEHIND DEPTH MARKER PLATE. TAPE EDGES TO A CLEAN LINE.
3. SPLICE PLATES AT ODD MARKER LOCATIONS AND ADD CONNECTION 3" ABOVE AND BELOW SPLICE. TACK WELD AT ENDS AND AT 1/3 POINTS.

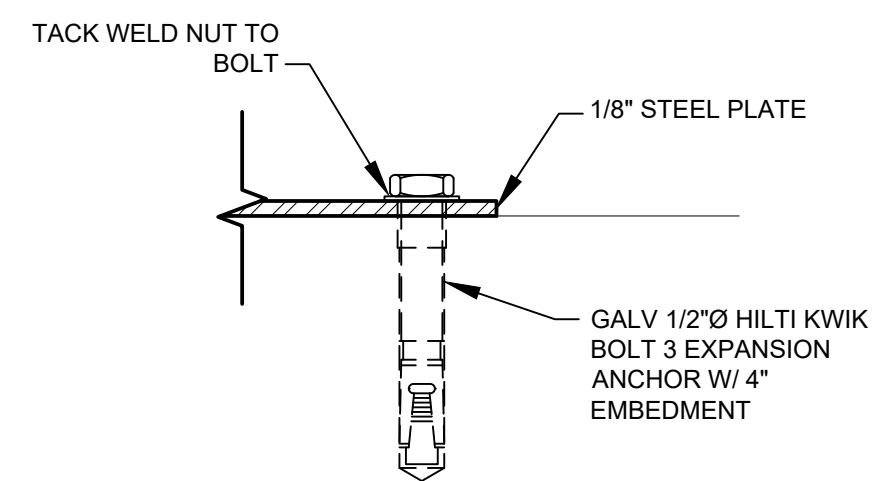
DIMENSION TABLE		
"A"	18"	24"
"X"	12"	18"
"Y"	2"	3"
"Z"	14"	12"



NOTE:  
• AMAFCA HEADER NOT SHOWN.

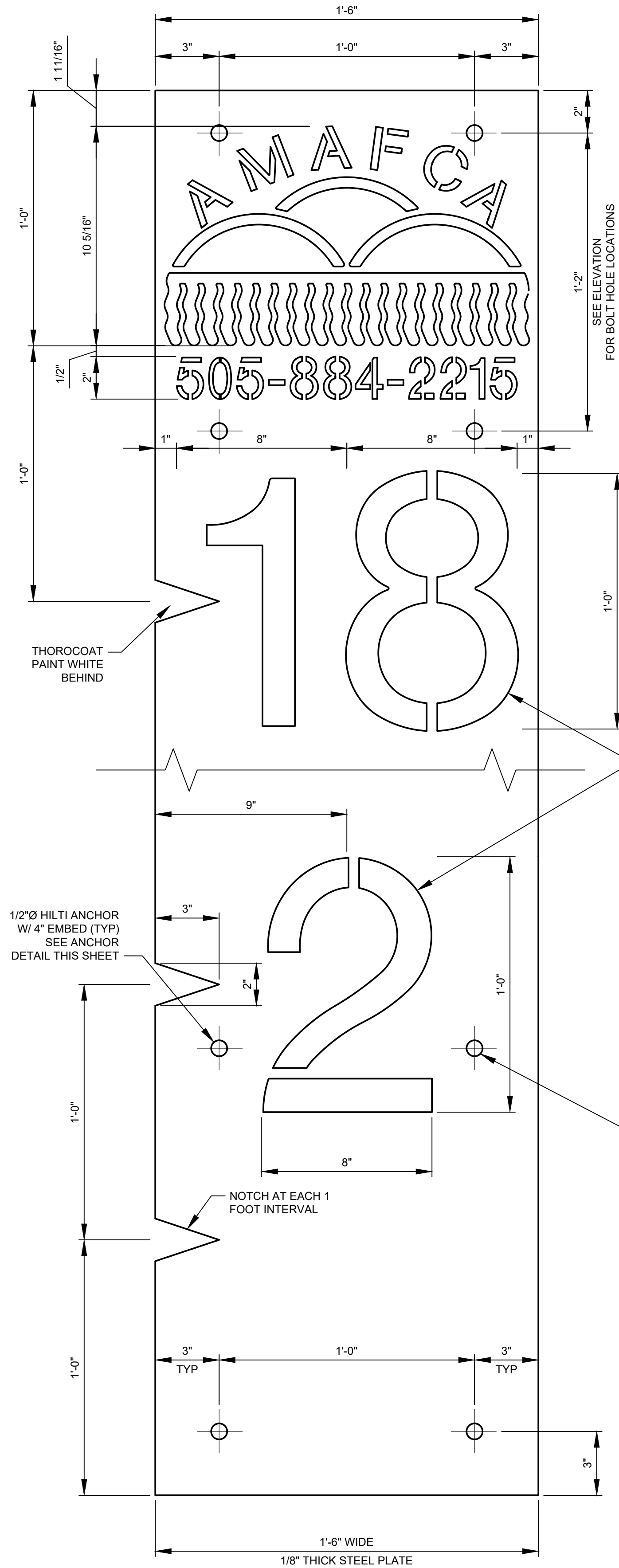
**ELEVATION BOLT PATTERN LAYOUT**

SCALE: 1/2"=1'-0"



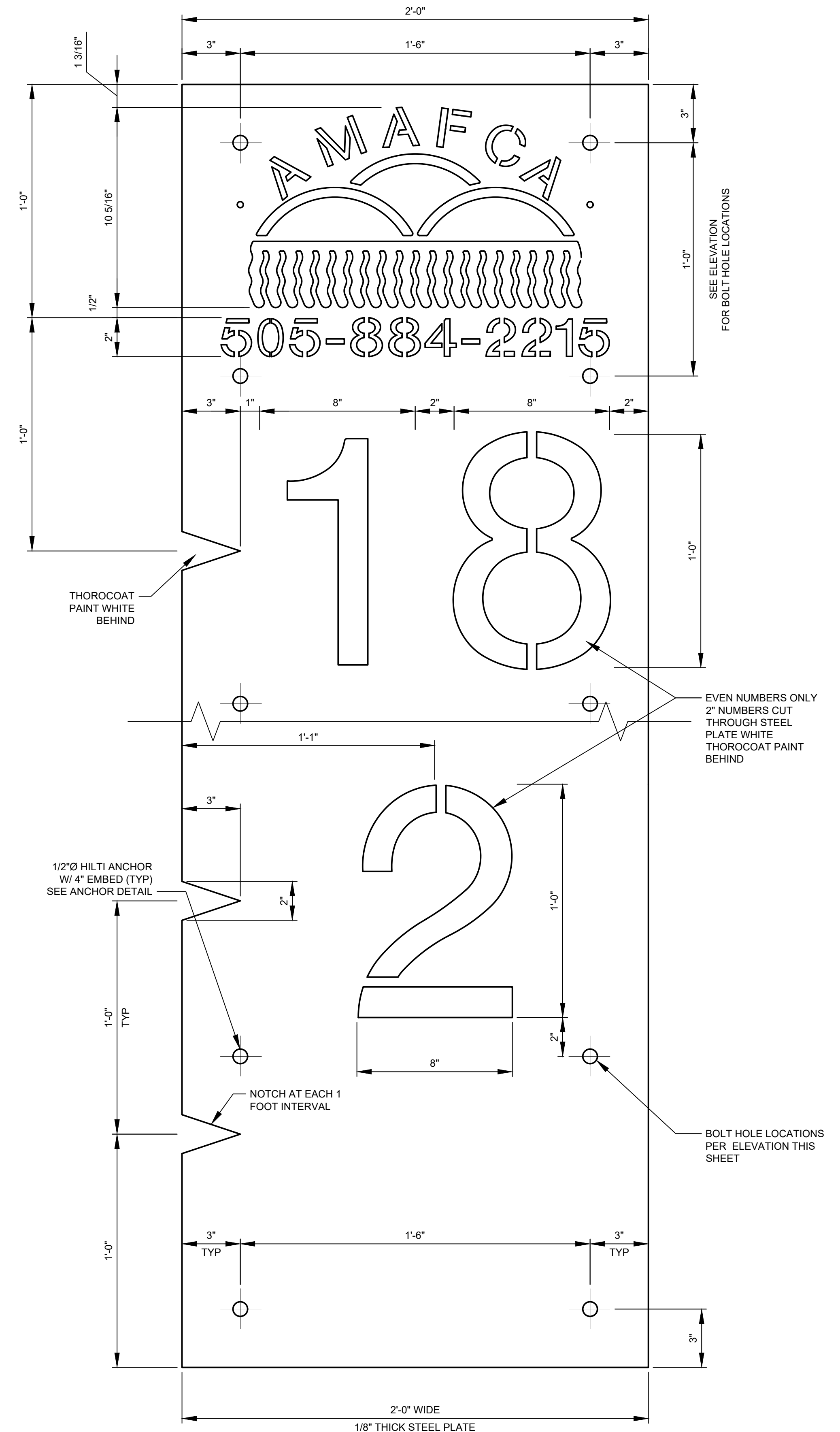
**ANCHOR DETAIL**

SCALE: 3"=1'-0"



**18 INCH VERTICAL DEPTH MARKER**

SCALE: 3"=1'-0"



**24 INCH VERTICAL DEPTH MARKER**

SCALE: 3"=1'-0"

ALBUQUERQUE METROPOLITAN ARROYO FLOOD CONTROL AUTHORITY

**VERTICAL WALL DEPTH MARKER**

ISSUE DATE: MARCH 2026

DRAWING NO. 402

SHEET 1 OF 1