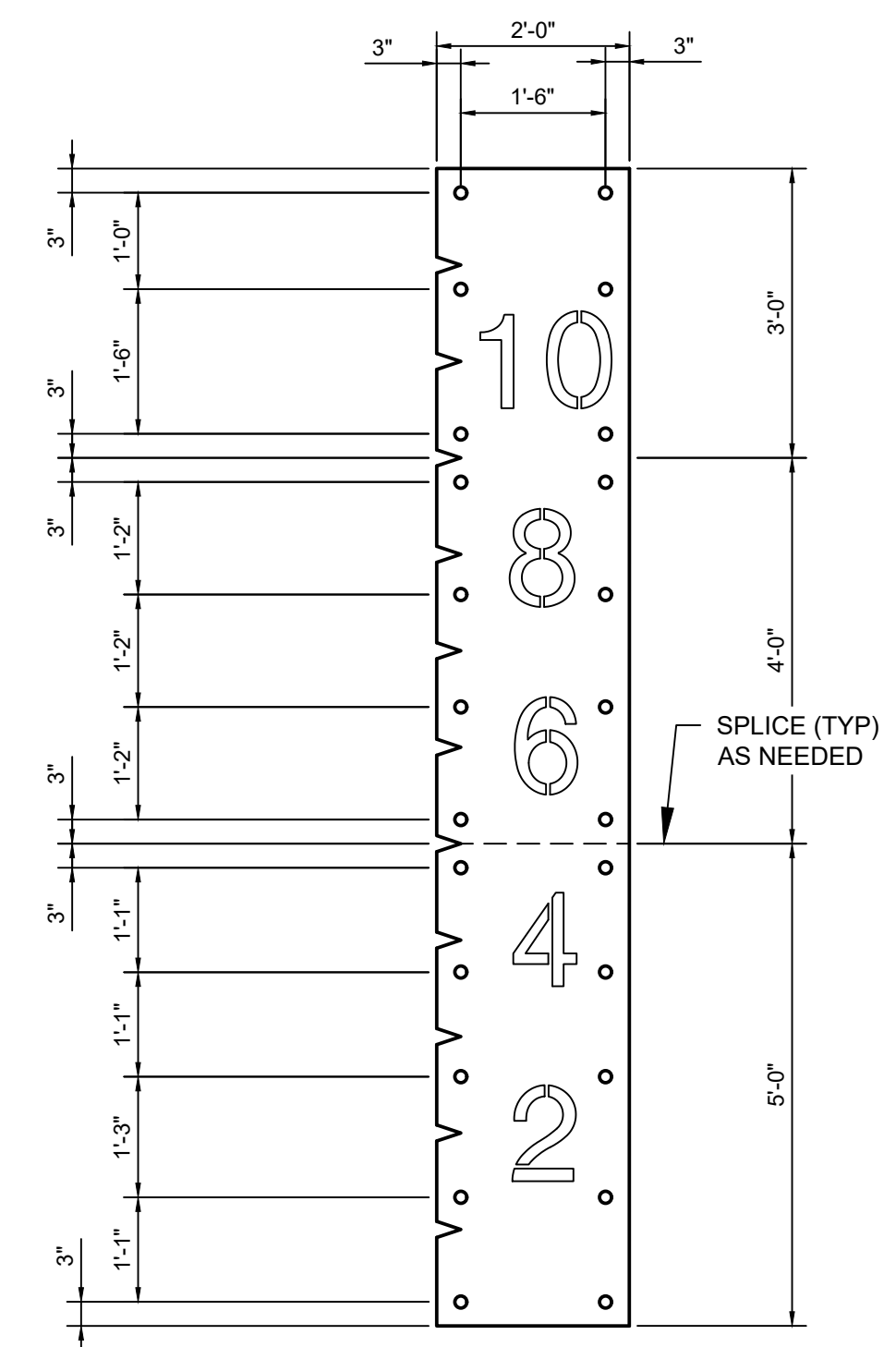
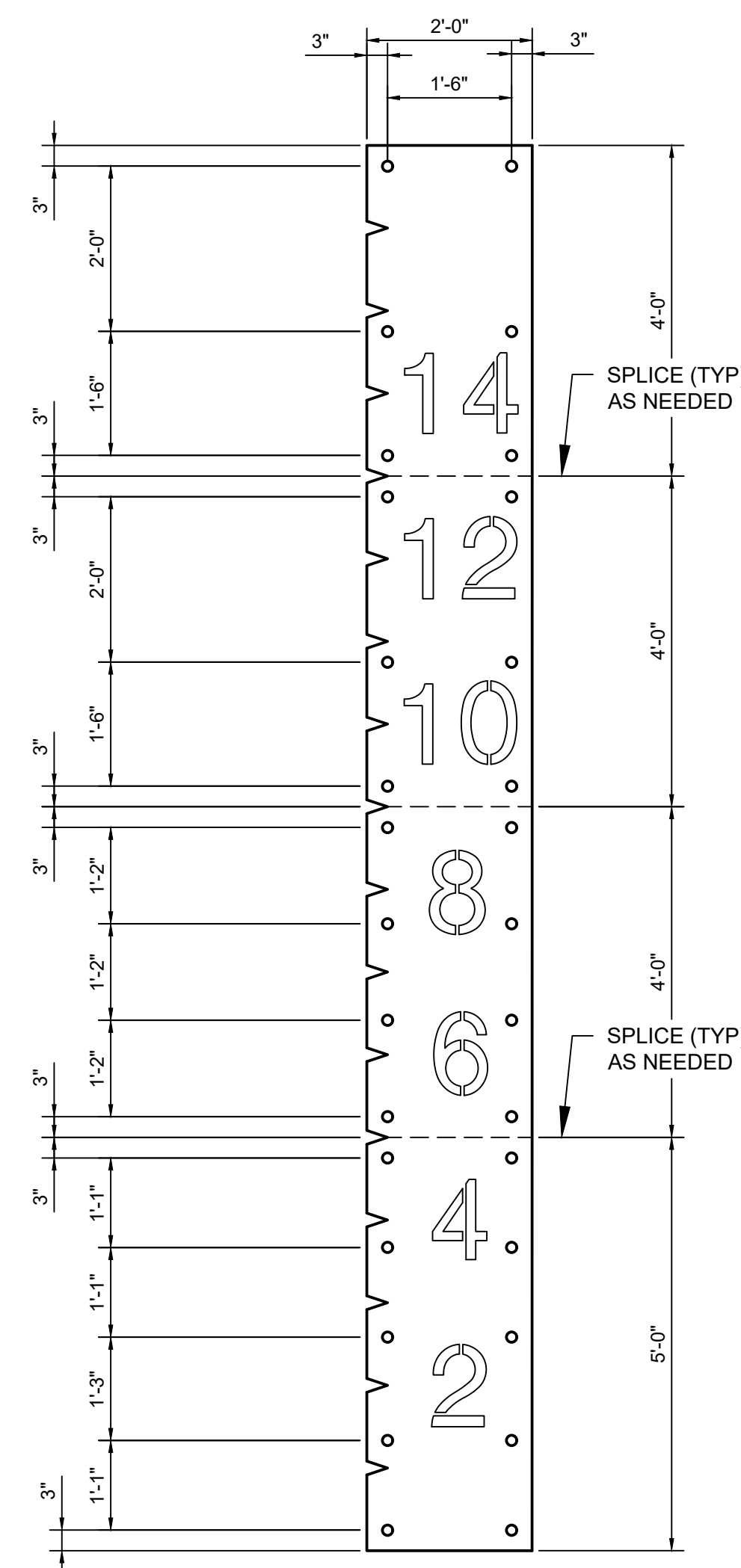


**BOLT PATTERN LAYOUT ELEVATION (5 FEET)**  
SCALE: 1/2"=1'-0"

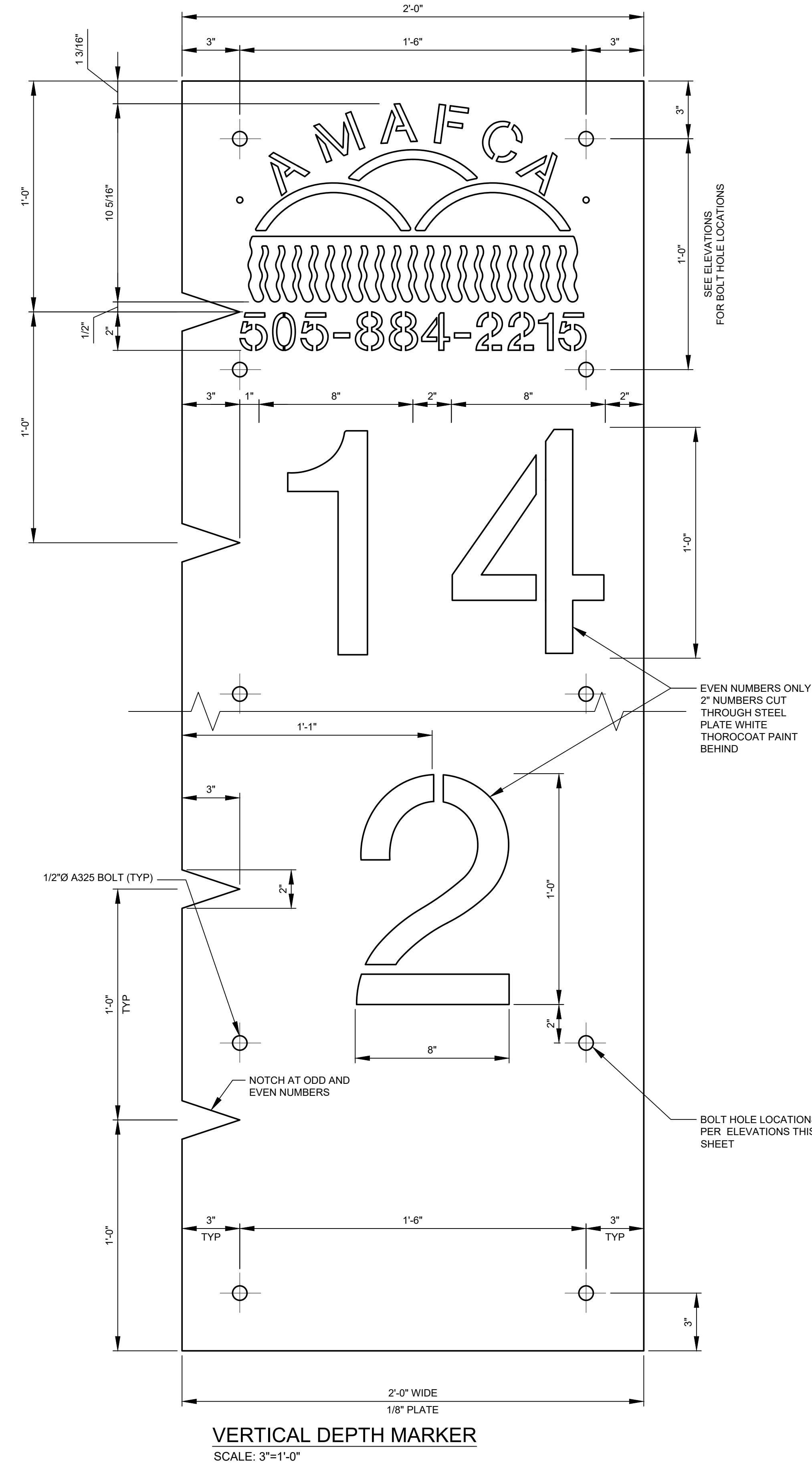


**BOLT PATTERN LAYOUT ELEVATION (10 FEET)**  
SCALE: 1/2"=1'-0"



NOTES:  
• AMAFCA HEADER NOT SHOWN.

**BOLT PATTERN LAYOUT ELEVATION (15 FEET)**  
SCALE: 1/2"=1'-0"

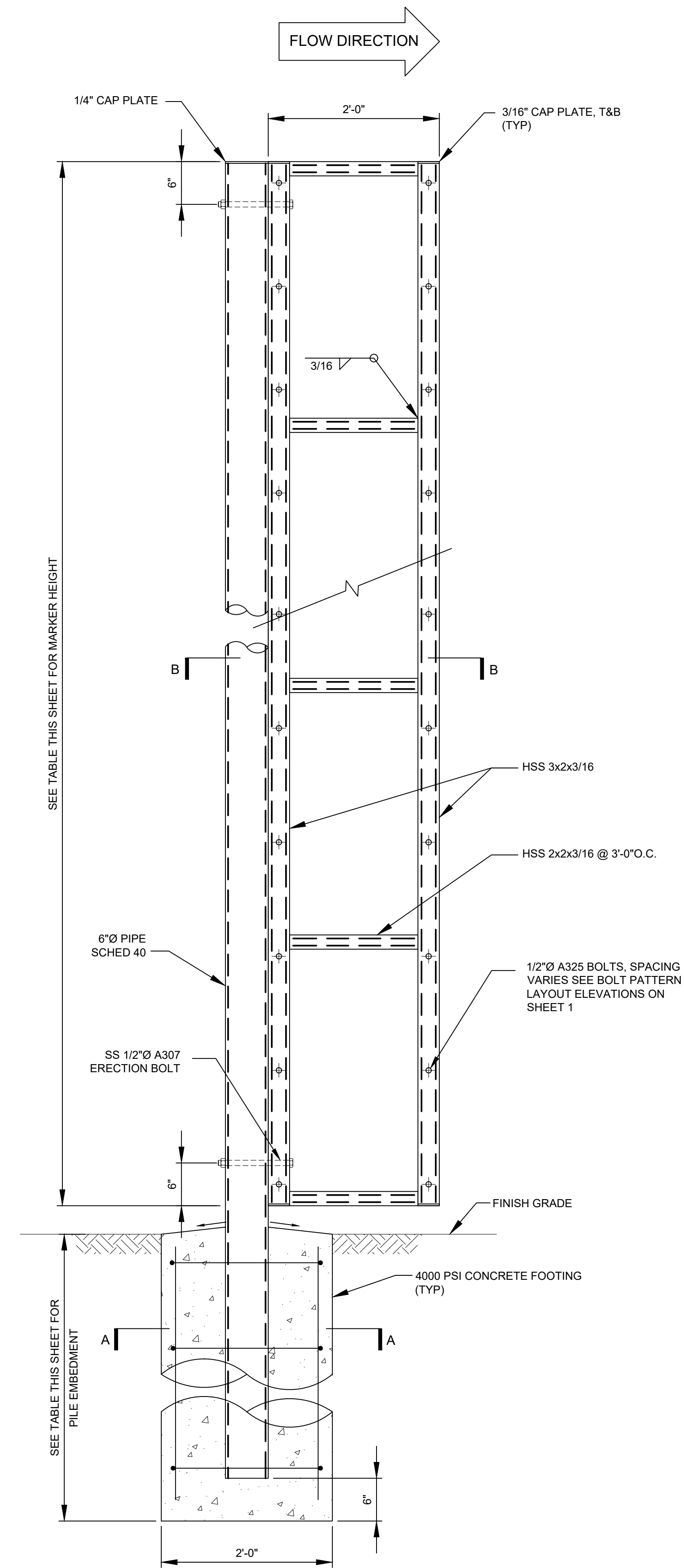


**VERTICAL DEPTH MARKER**  
SCALE: 3"=1'-0"

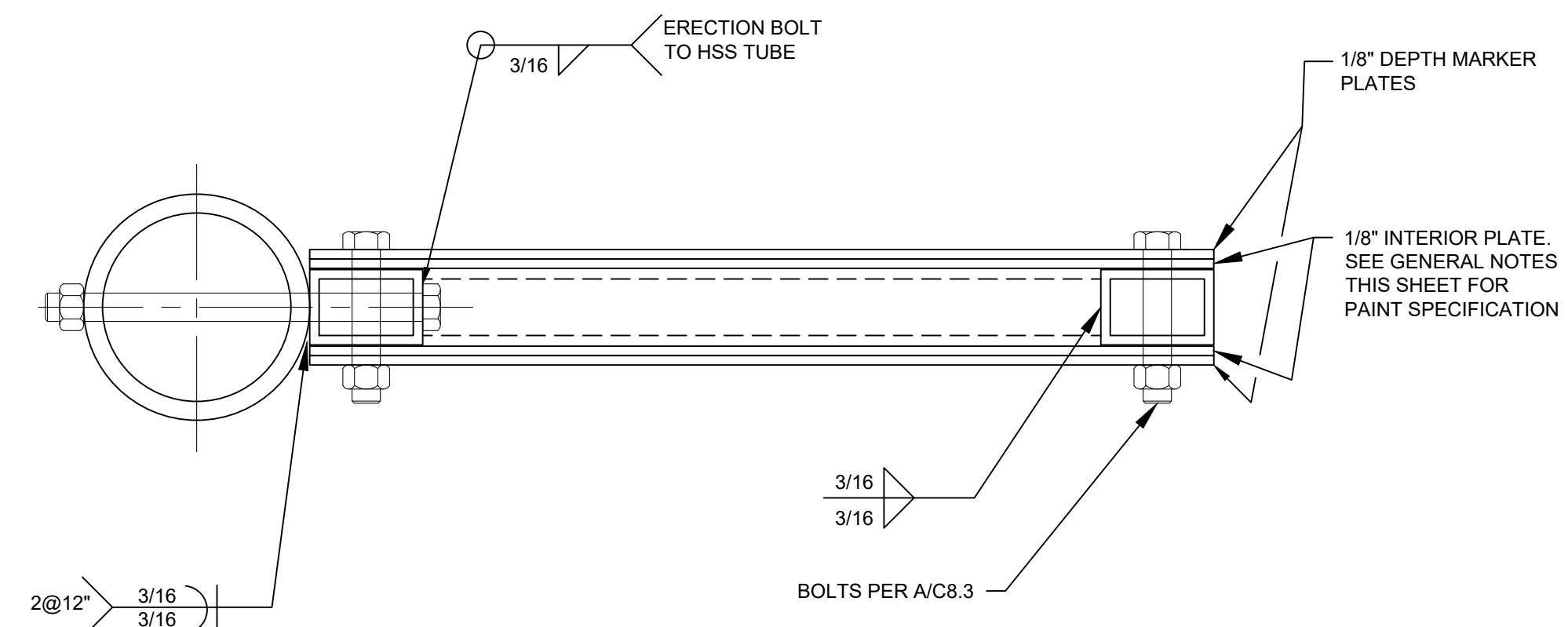
- GENERAL NOTES**
1. INSTALL TO LAST EVEN NUMBER 2'-0" FROM TOP OF DAM/LEVEE.
  2. CLEAN SURFACE AND PROVIDE WHITE THOROCOAT PAINT BEHIND DEPTH MARKER PLATE. TAPE EDGES TO A CLEAN LINE.
  3. SPLICE PLATES AT ODD MARKER LOCATIONS AND ADD CONNECTION 3" ABOVE AND BELOW SPLICE. TACK WELD AT ENDS AND AT 1/3 POINTS.

**GENERAL NOTES**

- INTERIOR PLATE SHALL BE COLOR COATED. COLOR COATING SHALL BE DUNN-EDWARDS SYN-LUSTRO RUST PREVENTION ALKYD SEMI-GLOSS ENAMEL 9V SERIES OR PITTSBURG PAINT AND GLASS PITTTHANE ULTRA URETHANE ENAMEL COATINGS, OR APPROVED EQUAL. PRIOR TO COLOR COATING, RAIL IS TO BE PRIMED WITH 1 COAT OF PRIMER BY THE RESPECTIVE MANUFACTURER. COLOR OF FINAL COATING TO BE WHITE.

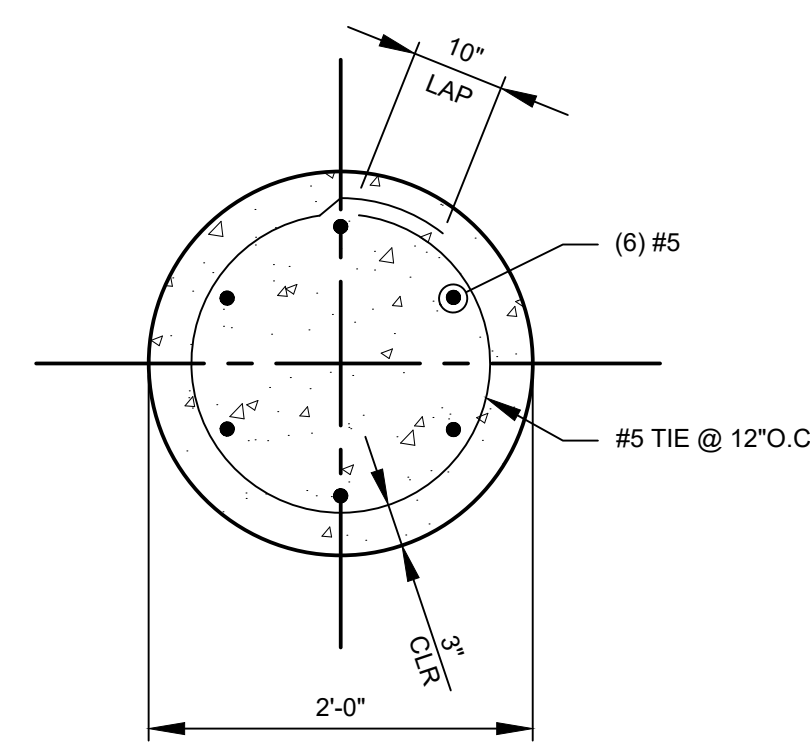


**FREE STANDING VERTICAL DEPTH MARKER  
DOUBLE SIDE SIGN POST ELEVATION**  
SCALE: 1"=1'-0"



**SECTION B-B**  
SCALE: 3"=1'-0"

PILE TABLE	
DEPTH MARKER HEIGHT	PILE EMBEDMENT
5 FEET	10'-0"
10 FEET	12'-0"
15 FEET	13'-0"



**SECTION A-A**  
SCALE: 1"=1'-0"

ALBUQUERQUE METROPOLITAN ARROYO FLOOD CONTROL AUTHORITY

**VERTICAL FREE STANDING DEPTH MARKER**

ISSUE DATE: MARCH 2026

DRAWING NO. 403

SHEET 2 OF 2