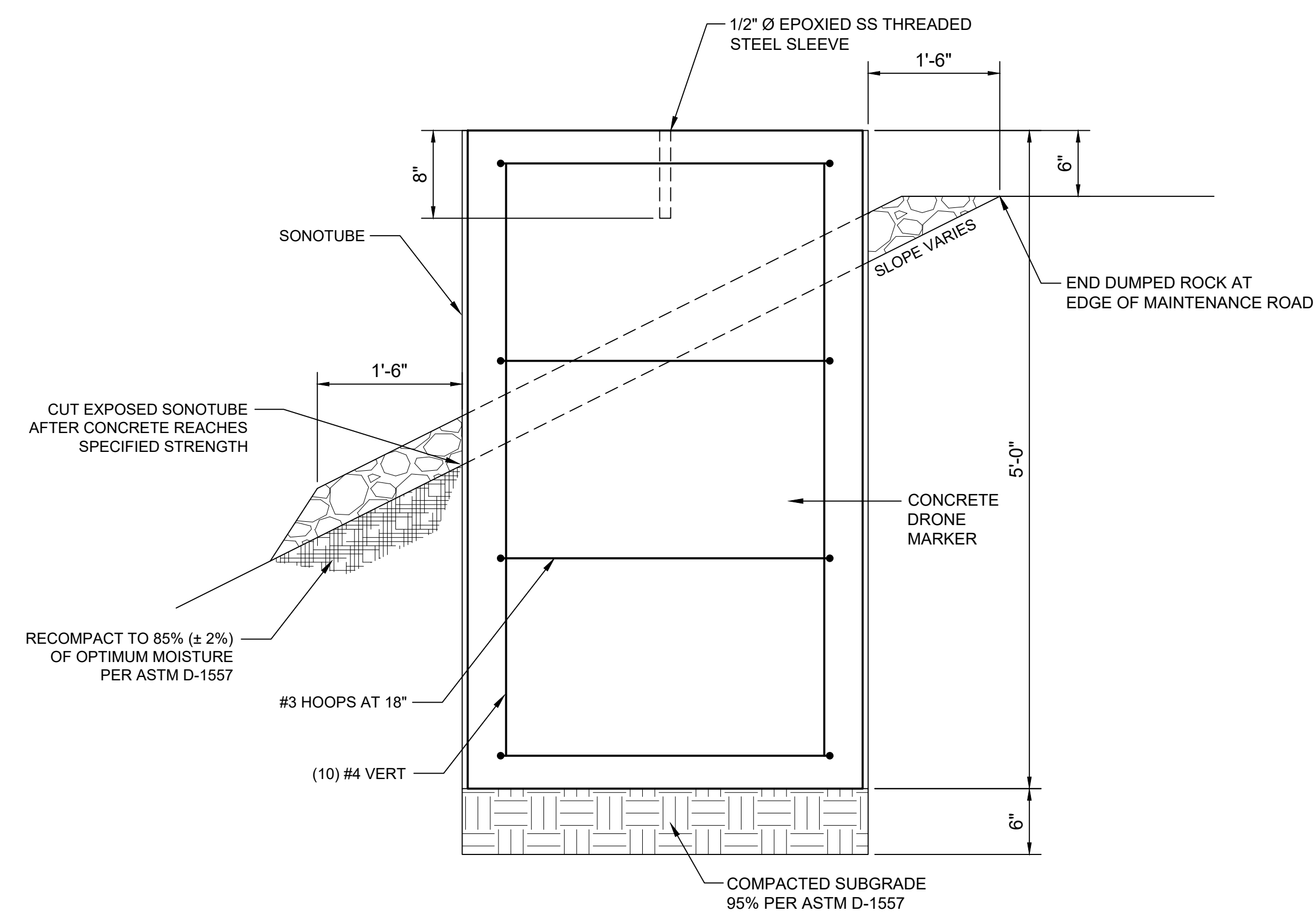
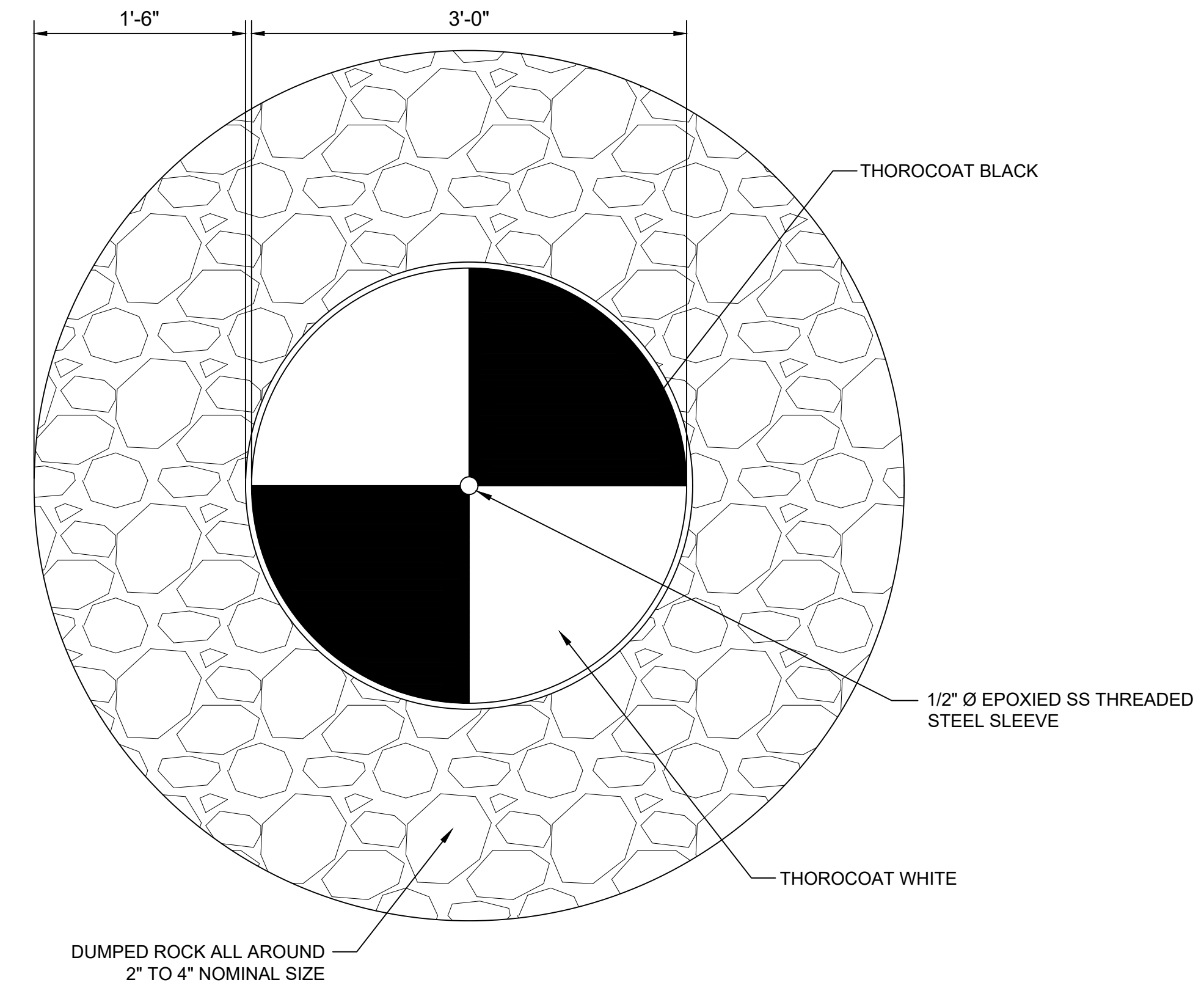


**GENERAL NOTES**

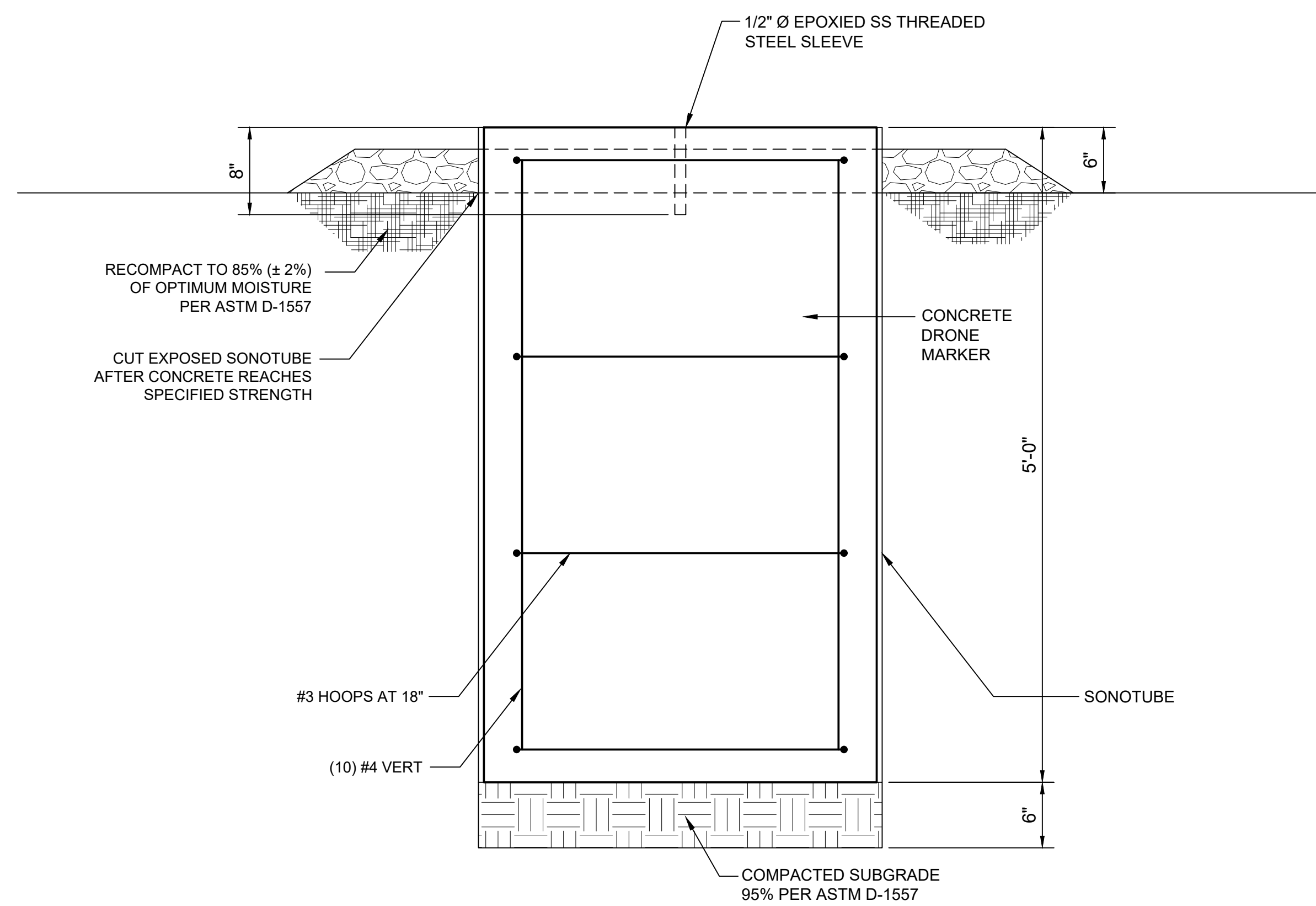
1. PLACEMENT OF DRONE MARKER(S) TO BE DETERMINED BY AMAFCA AND SHOWN ON PLAN DRAWINGS.
2. CONCRETE STRENGTH SHALL BE 3000 PSI MIN. @ 28 DAYS UNLESS OTHERWISE NOTED.
3. EXACT FINAL LOCATION AND ELEVATION OF DRONE MARKER(S) CENTER TO BE PROVIDED TO AMAFCA AND CERTIFIED BY A LICENSED PROFESSIONAL SURVEYOR IN THE STATE OF NEW MEXICO.



**DRONE TARGET - ADJACENT TO SLOPE**  
NO SCALE



**DRONE TARGET PLAN VIEW**  
NO SCALE



**DRONE TARGET - TYPICAL**  
NO SCALE

ALBUQUERQUE METROPOLITAN ARROYO FLOOD CONTROL AUTHORITY		
<b>AMAFCA DRONE MARKER DETAILS</b>		
ISSUE DATE: MARCH 2026	DRAWING NO. 404	SHEET 1 OF 1