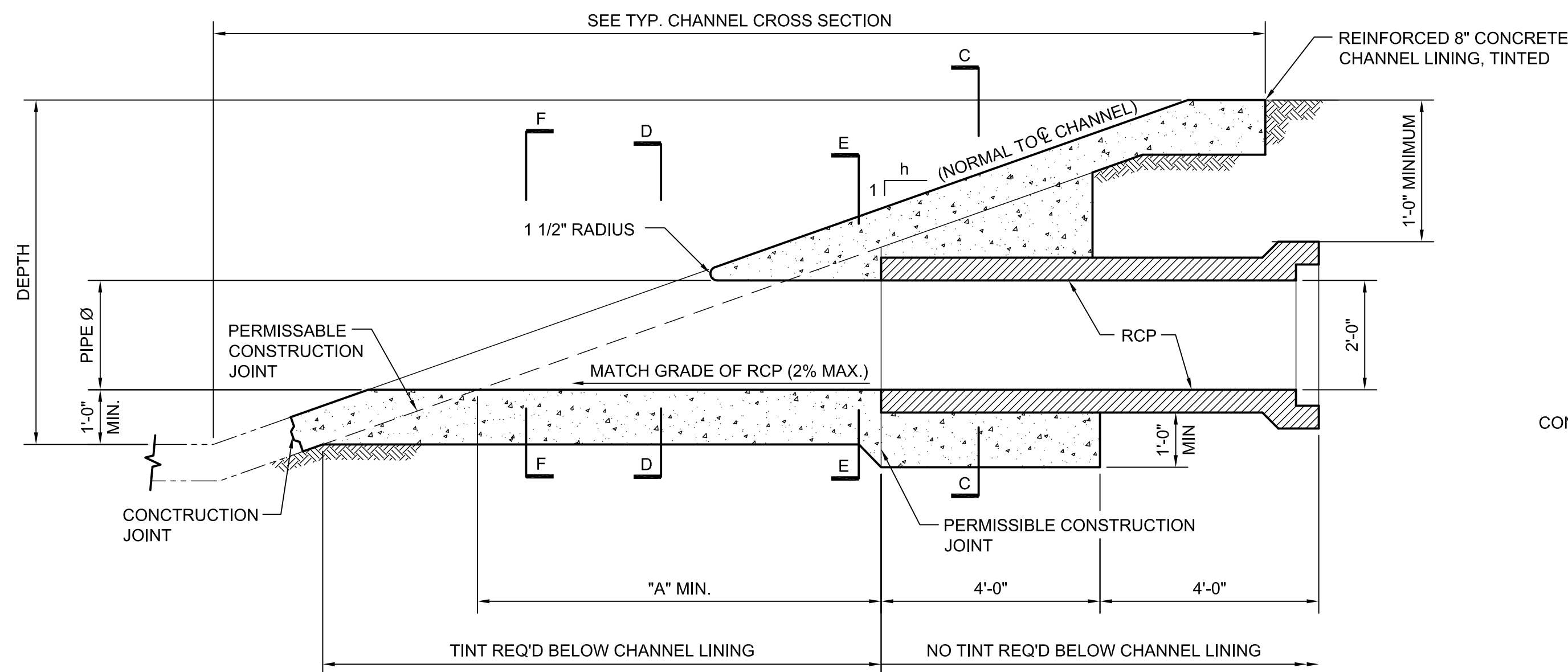


**PIPE PENETRATION (PLAN VIEW)**  
NO SCALE

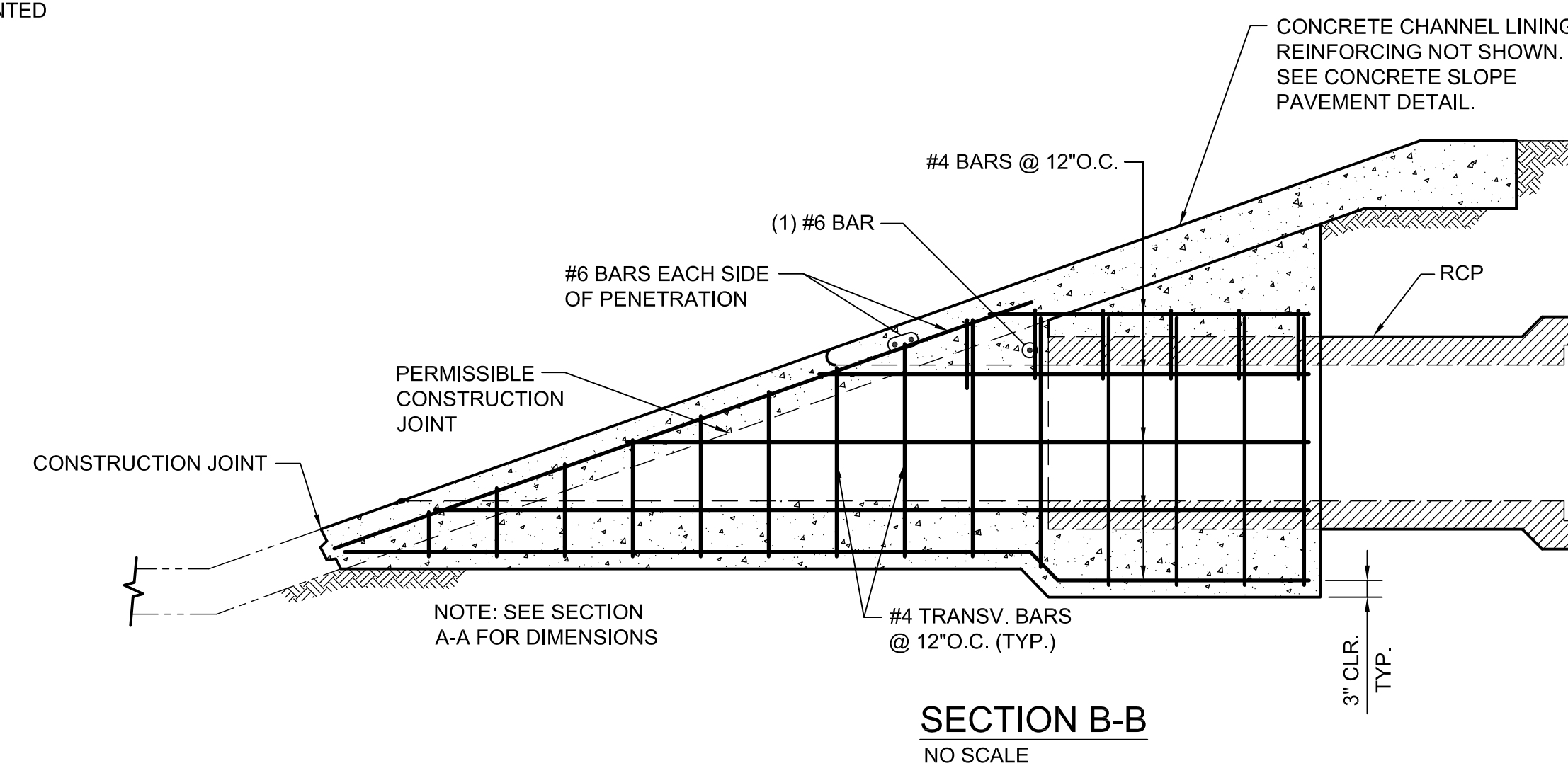
SIDE SLOPE	DIMENSION "A"							
	PIPE DIAMETER (INCHES)							
1.5:1	24	30	36	42	48	54	60	72
2:1	4'-8"	5'-5"	6'-2"	6'-11"	7'-8"	8'-5"	9'-2"	10'-8"

SIDE SLOPE	DIMENSION "B"							
	PIPE DIAMETER (INCHES)							
1.5:1	24	30	36	42	48	54	60	72
2:1	10"	11"	1'-1"	1'-2"	1'-3"	1'-4"	1'-6"	1'-8"

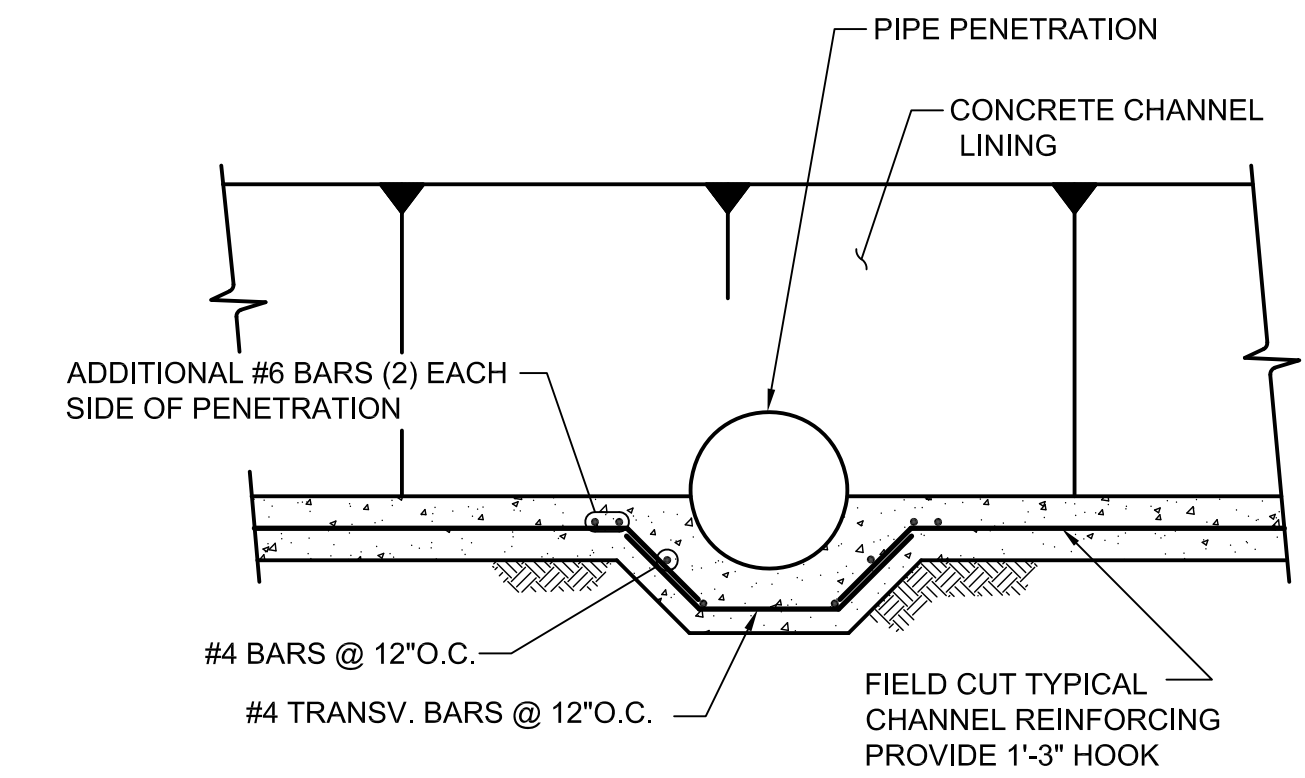
- GENERAL NOTES:**
1. THE PIPE PENETRATION DETAILED HEREIN SHALL BE PAID FOR LUMP SUM AND SHALL BE COMPENSATION FOR THE PENETRATION COMPLETE AND IN PLACE. INCLUDED IN THIS WORK (BUT NOT LIMITED TO) IS GRADING, SUBGRADE PREPARATION, REINFORCED CONCRETE, CONSTRUCTION JOINTS, CONCRETE PLACEMENT AND FINISHING. NOTE THE MEASUREMENT FOR 8" CHANNEL LINING IS CONTINUOUS AND UNINTERRUPTED AT THE PENETRATION LOCATION.
  2. ALL CULVERT PIPE PLACED UNDER THE CHANNEL LINING OR WITHIN AMAFCA RIGHT-OF-WAY SHALL BE RCP CLASS III MIN.
  3. FOR PIPE PENETRATIONS INTO EXISTING CHANNELS, USE CHANNEL REMOVAL DETAILS FROM AMAFCA STANDARD DRAWING 102.



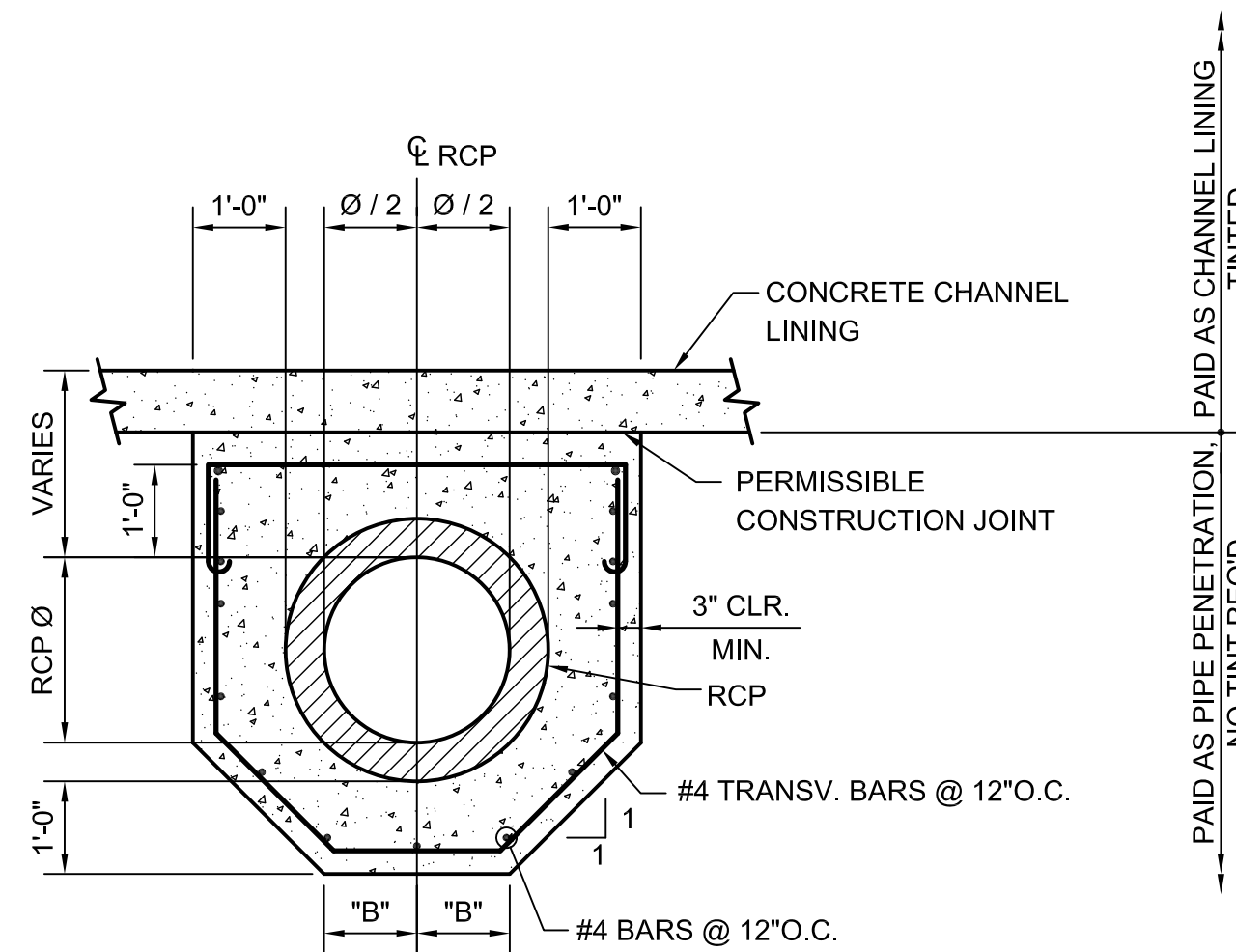
**SECTION A-A**  
NO SCALE



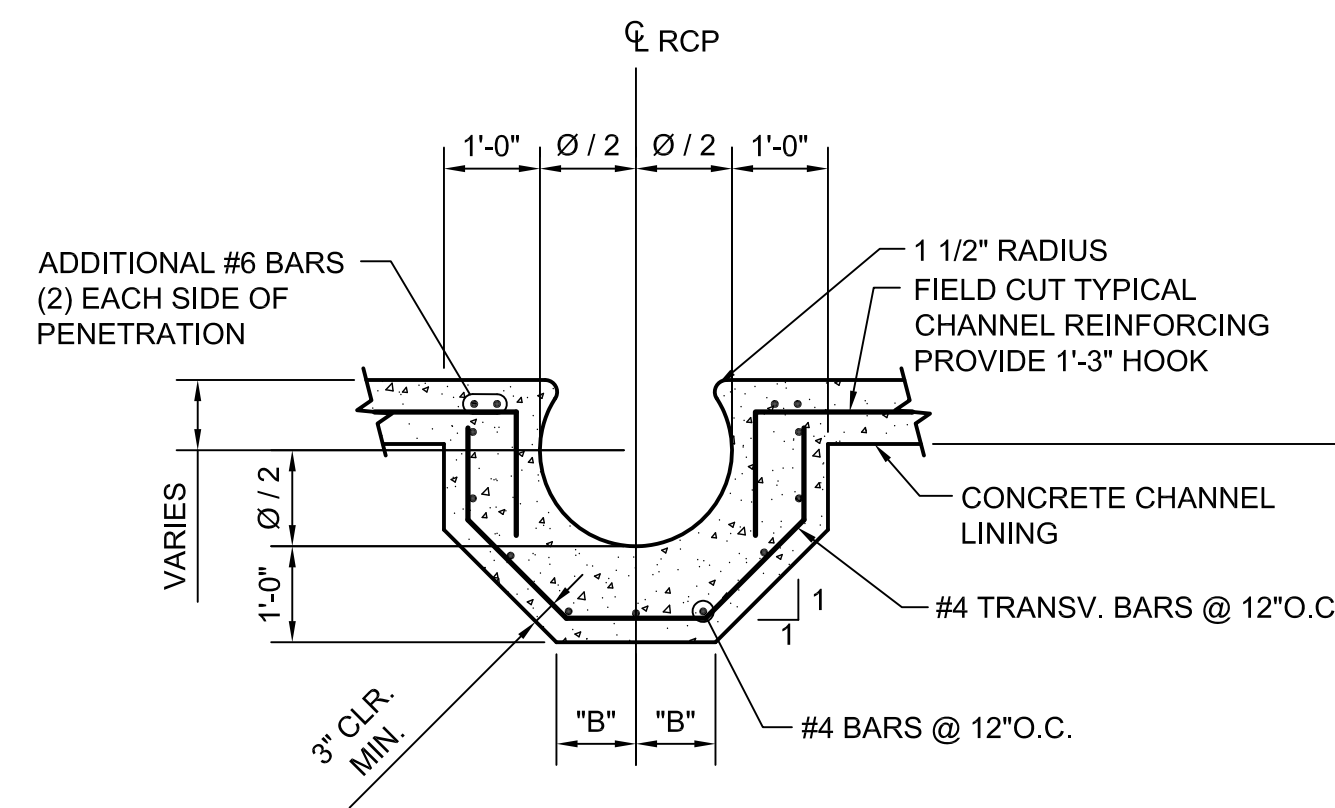
**SECTION B-B**  
NO SCALE



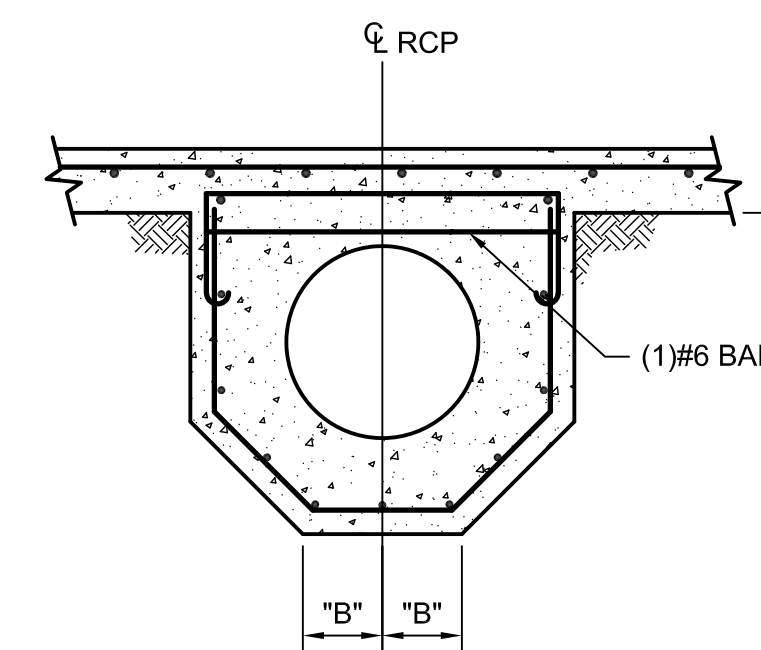
**SECTION F-F**  
NO SCALE



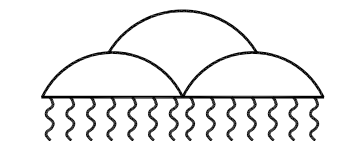
**SECTION C-C**  
NO SCALE



**SECTION D-D**  
NO SCALE



**SECTION E-E**  
NO SCALE



**ALBUQUERQUE METROPOLITAN  
ARROYO FLOOD CONTROL AUTHORITY**

AMAFCA  
STANDARD DETAILS

RCP CHANNEL PENETRATION  
PIPE DIAMETER > 12", 0° SKEW

REV	DATE	DESCRIPTION	CHKD

DRAWING NO. 103      MAP NO.      SHEET      OF

ISSUE DATE: NOV. 2023