

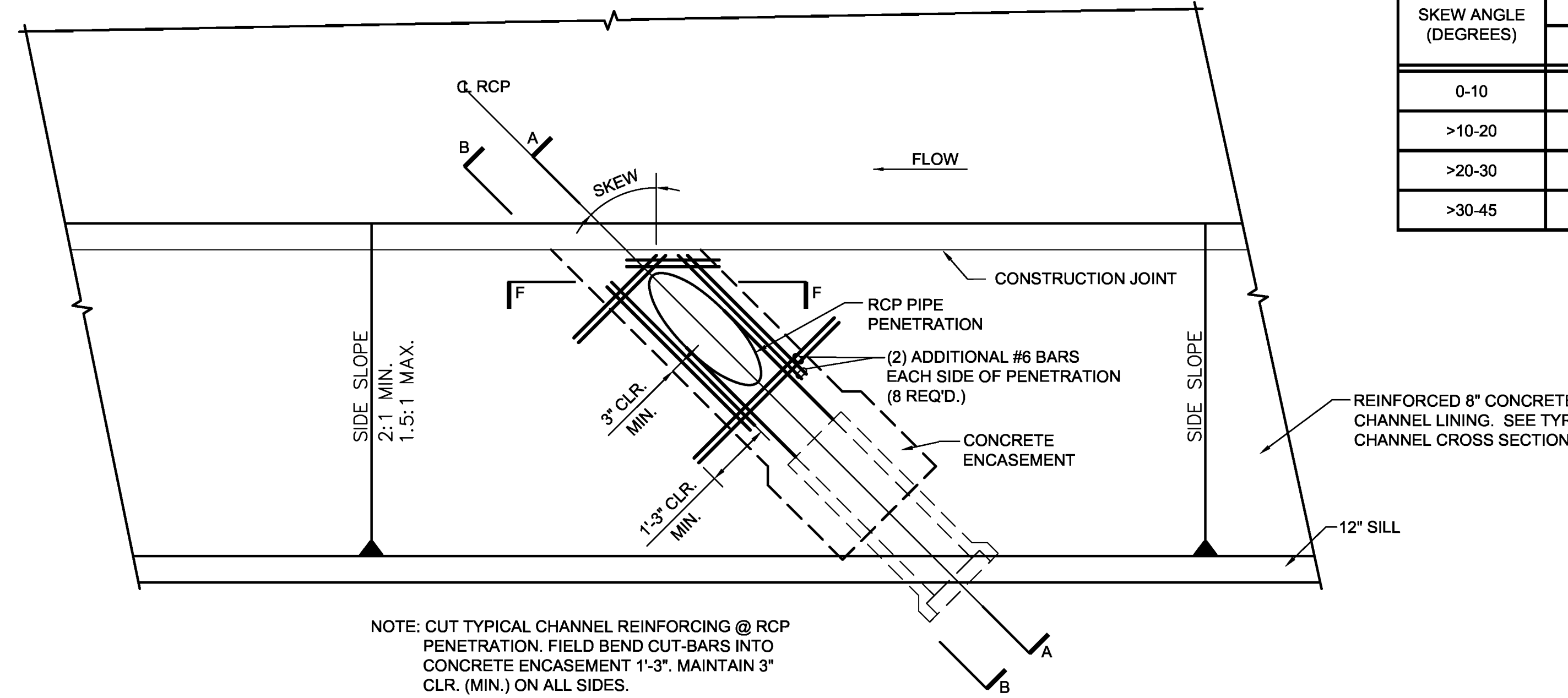
SKEW ANGLE (DEGREES)	DIMENSION "A" FOR 1.5:1 SIDE SLOPE							
	PIPE DIAMETER (INCHES)							
0-10	4'-9"	5'-6"	6'-3"	7'-0"	7'-10"	8'-7"	9'-4"	10'-10"
>10-20	4'-11"	5'-8"	6'-5"	7'-3"	8'-1"	8'-11"	9'-8"	11'-3"
>20-30	5'-2"	6'-0"	6'-11"	7'-9"	8'-7"	9'-6"	10'-4"	12'-1"
>30-45	5'-11"	7'-0"	8'-1"	9'-2"	10'-2"	11'-3"	12'-4"	14'-5"

SKEW ANGLE (DEGREES)	DIMENSION "A" FOR 2:1 SIDE SLOPE							
	PIPE DIAMETER (INCHES)							
0-10	5'-9"	6'-9"	7'-10"	8'-10"	9'-10"	10'-10"	11'-11"	13'-11"
>10-20	5'-11"	7'-0"	8'-1"	9'-2"	10'-3"	11'-3"	12'-4"	14'-6"
>20-30	6'-4"	7'-6"	8'-7"	9'-9"	10'-11"	12'-1"	13'-3"	15'-7"
>30-45	7'-4"	8'-9"	10'-2"	11'-7"	13'-0"	14'-5"	15'-10"	18'-9"

DIMENSION "B"								
PIPE DIAMETER (INCHES)								
24	30	36	42	48	54	60	72	
10"	11"	1'-1"	1'-2"	1'-3"	1'-4"	1'-6"	1'-8"	

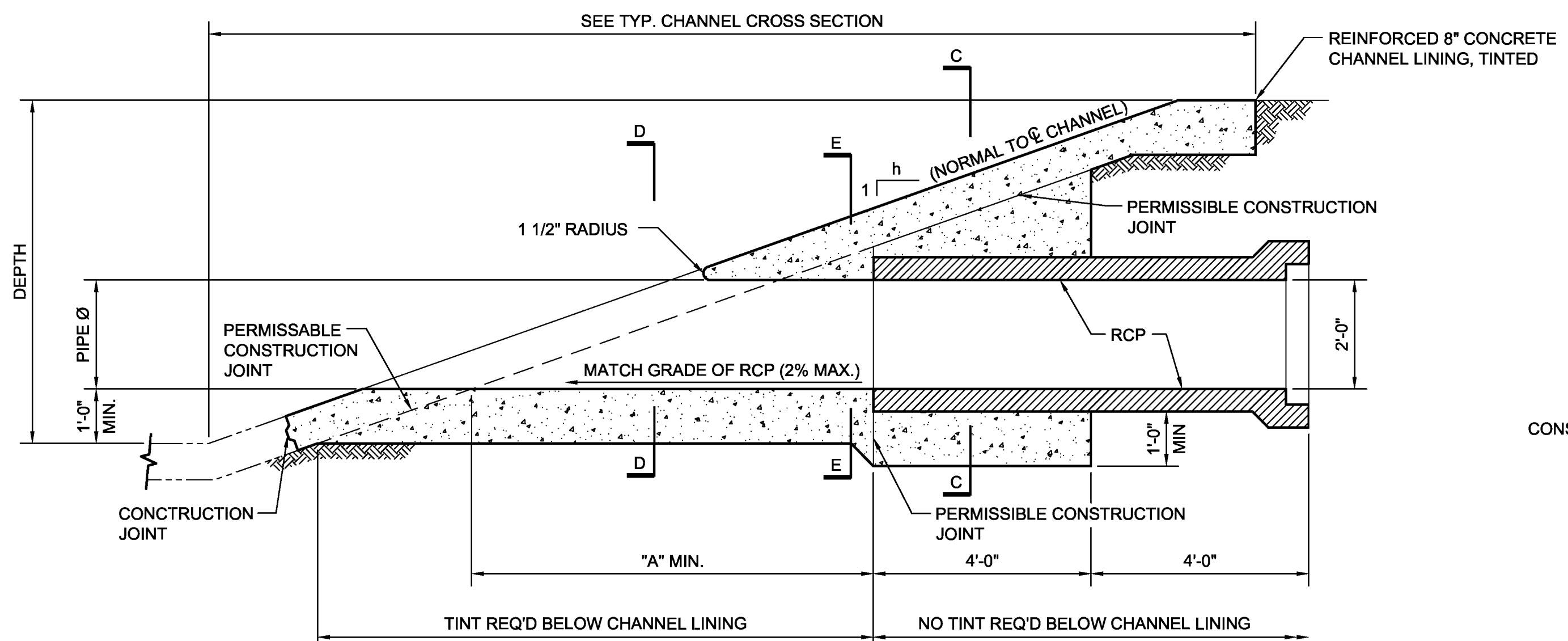
**GENERAL NOTES:**

1. THE PIPE PENETRATION DETAILED HEREIN SHALL BE PAID FOR UNDER LUMP SUM AND SHALL BE COMPENSATION FOR THE PENETRATION COMPLETE AND IN PLACE. INCLUDED IN THIS WORK (BUT NOT LIMITED TO) IS GRADING, SUBGRADE PREPARATION, REINFORCED CONCRETE, CONSTRUCTION JOINTS, CONCRETE PLACEMENT AND FINISHING. NOTE THE MEASUREMENT FOR 8" CHANNEL LINING IS CONTINUOUS AND UNINTERRUPTED AT THE PENETRATION LOCATION.
2. ALL CULVERT PIPE PLACED UNDER THE CHANNEL LINING OR WITHIN AMAFCA RIGHT-OF-WAY SHALL BE RCP CLASS III MIN.
3. FOR PIPE PENETRATIONS INTO EXISTING CHANNELS, USE CHANNEL REMOVAL DETAILS FROM AMAFCA STANDARD DRAWING 102.

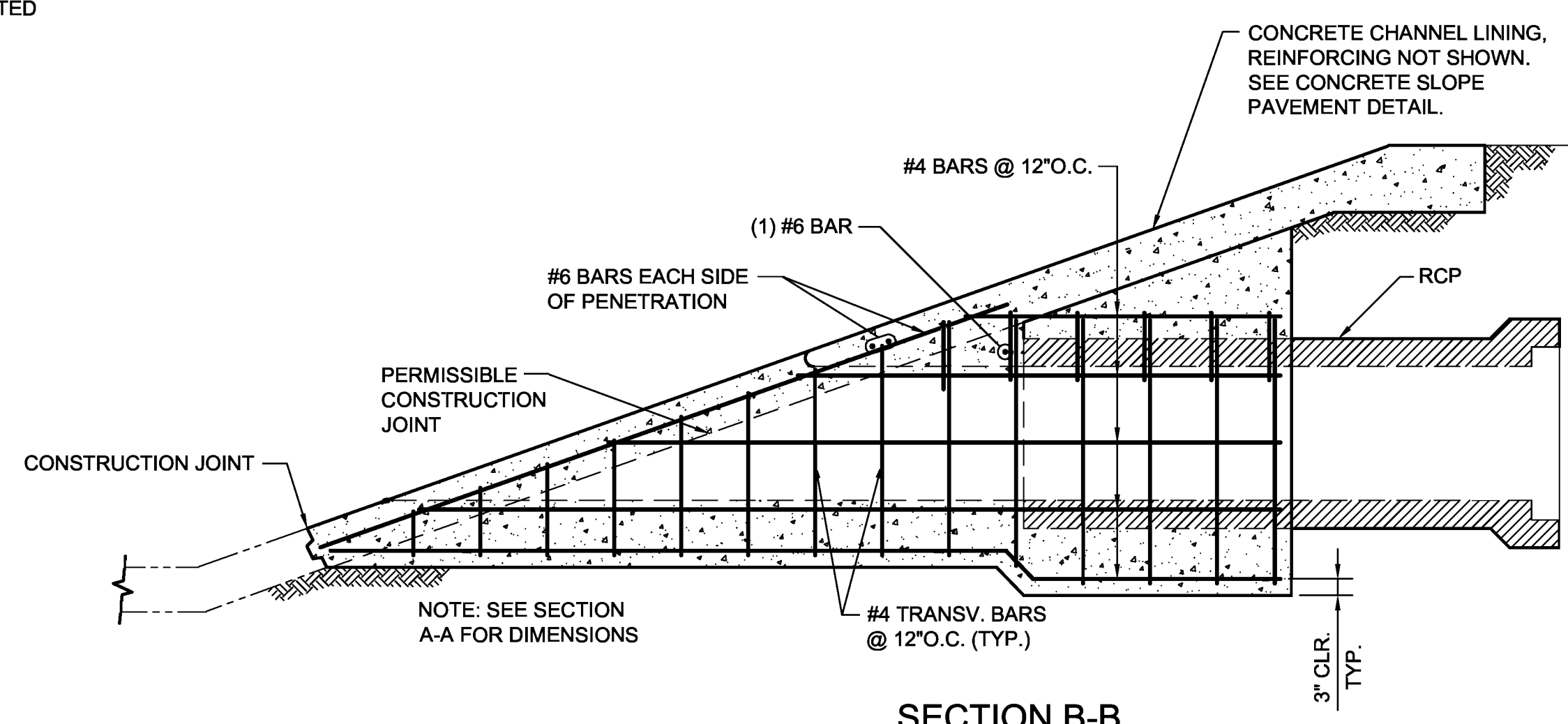


NOTE: CUT TYPICAL CHANNEL REINFORCING @ RCP PENETRATION. FIELD BEND CUT-BARS INTO CONCRETE ENCASEMENT 1'-3". MAINTAIN 3" CLR. (MIN.) ON ALL SIDES.

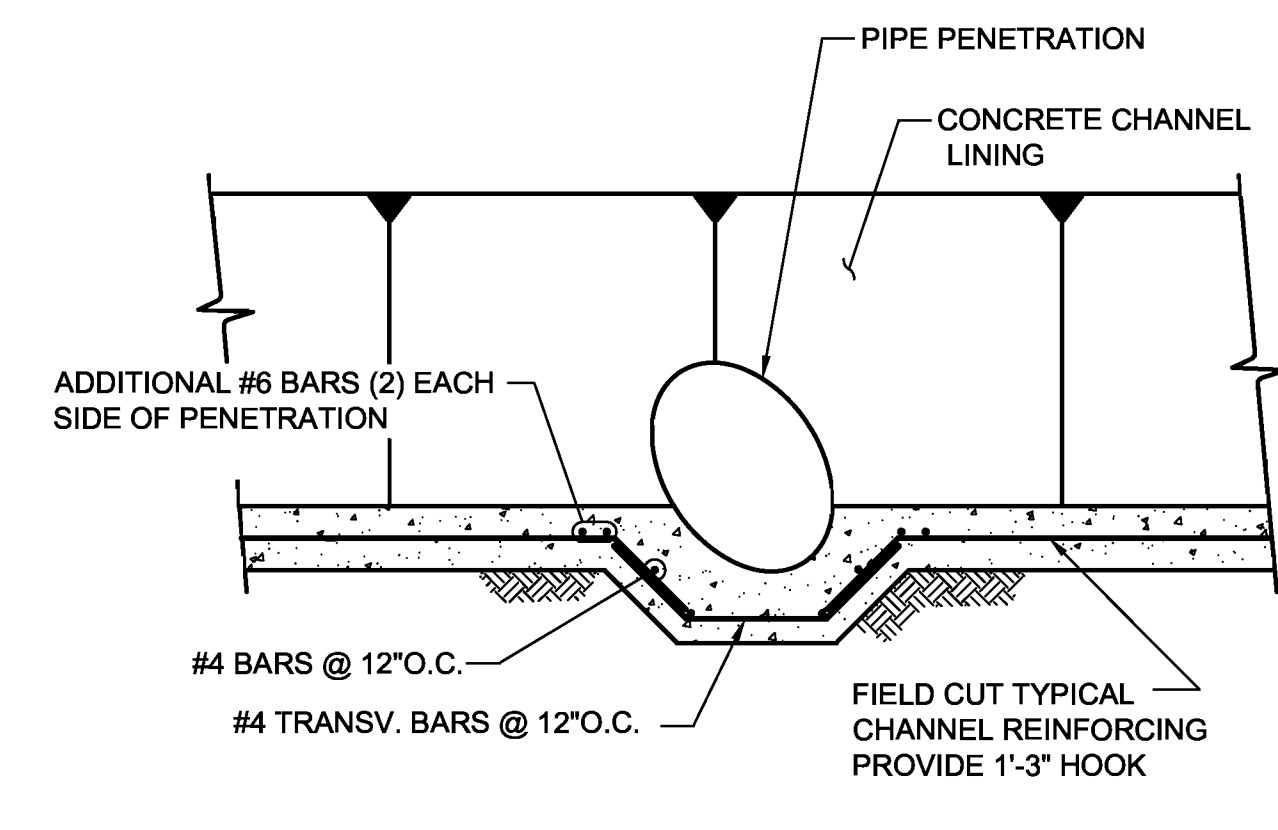
**PIPE PENETRATION (PLAN VIEW)**  
NO SCALE



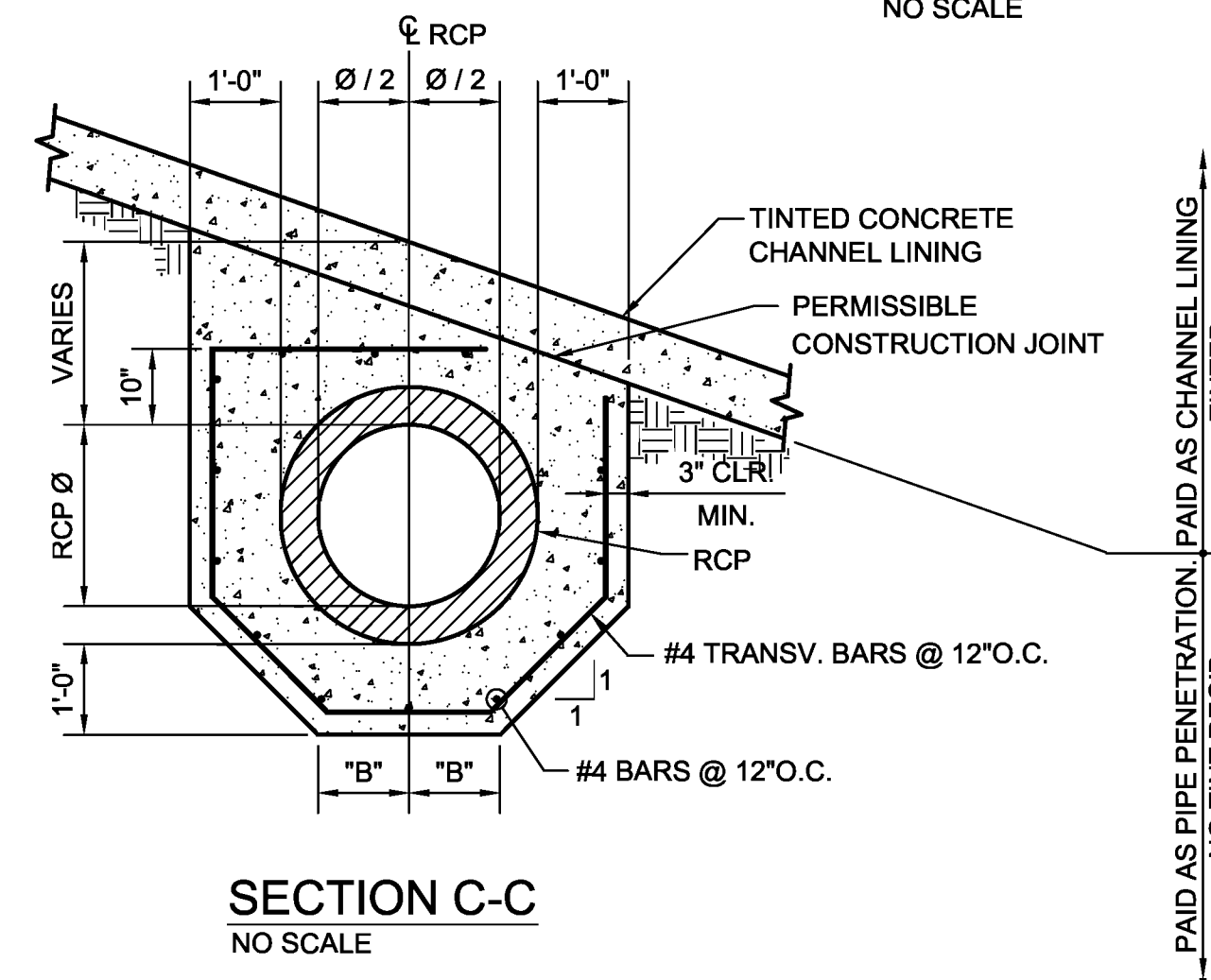
**SECTION A-A**  
NO SCALE



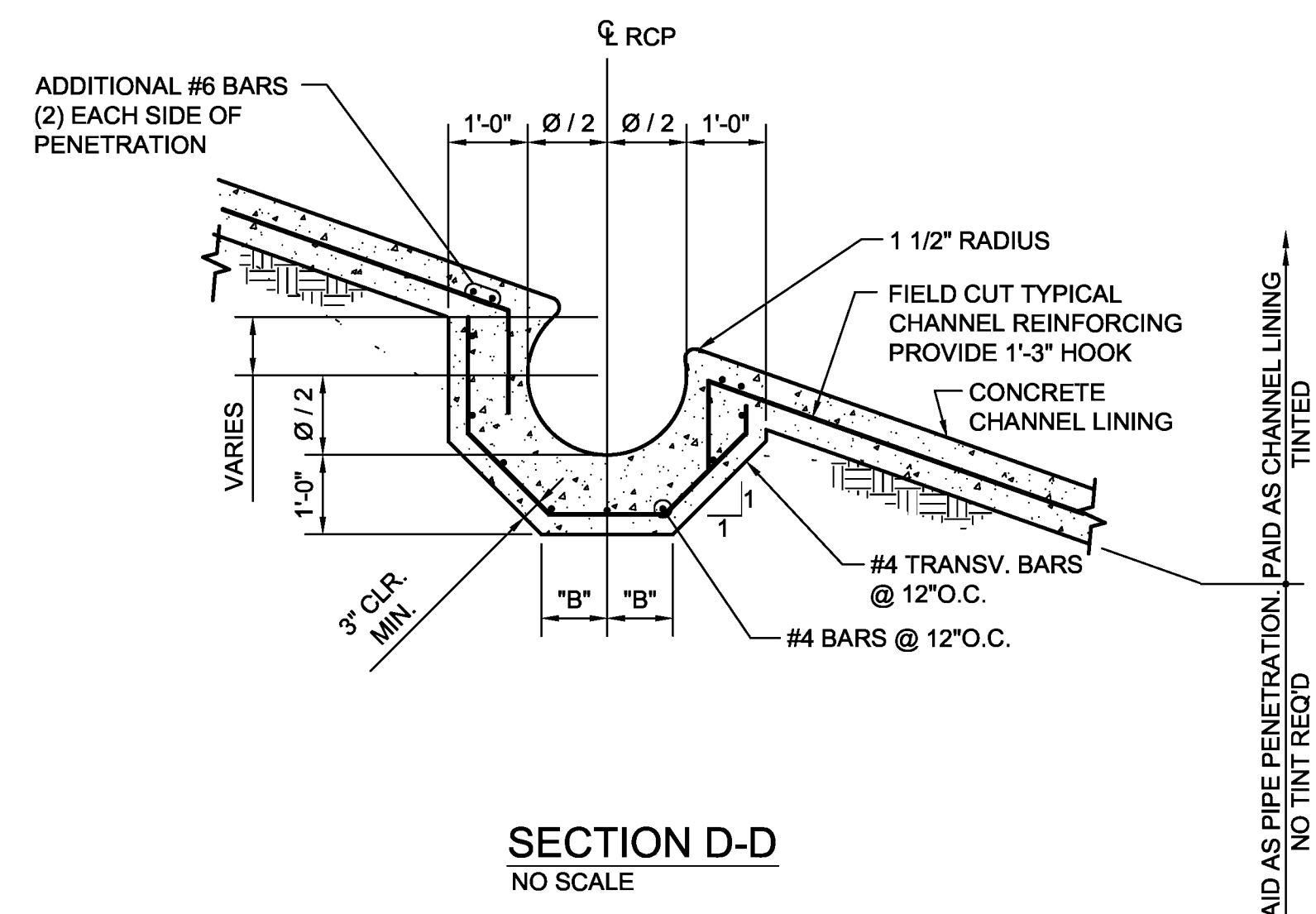
**SECTION B-B**  
NO SCALE



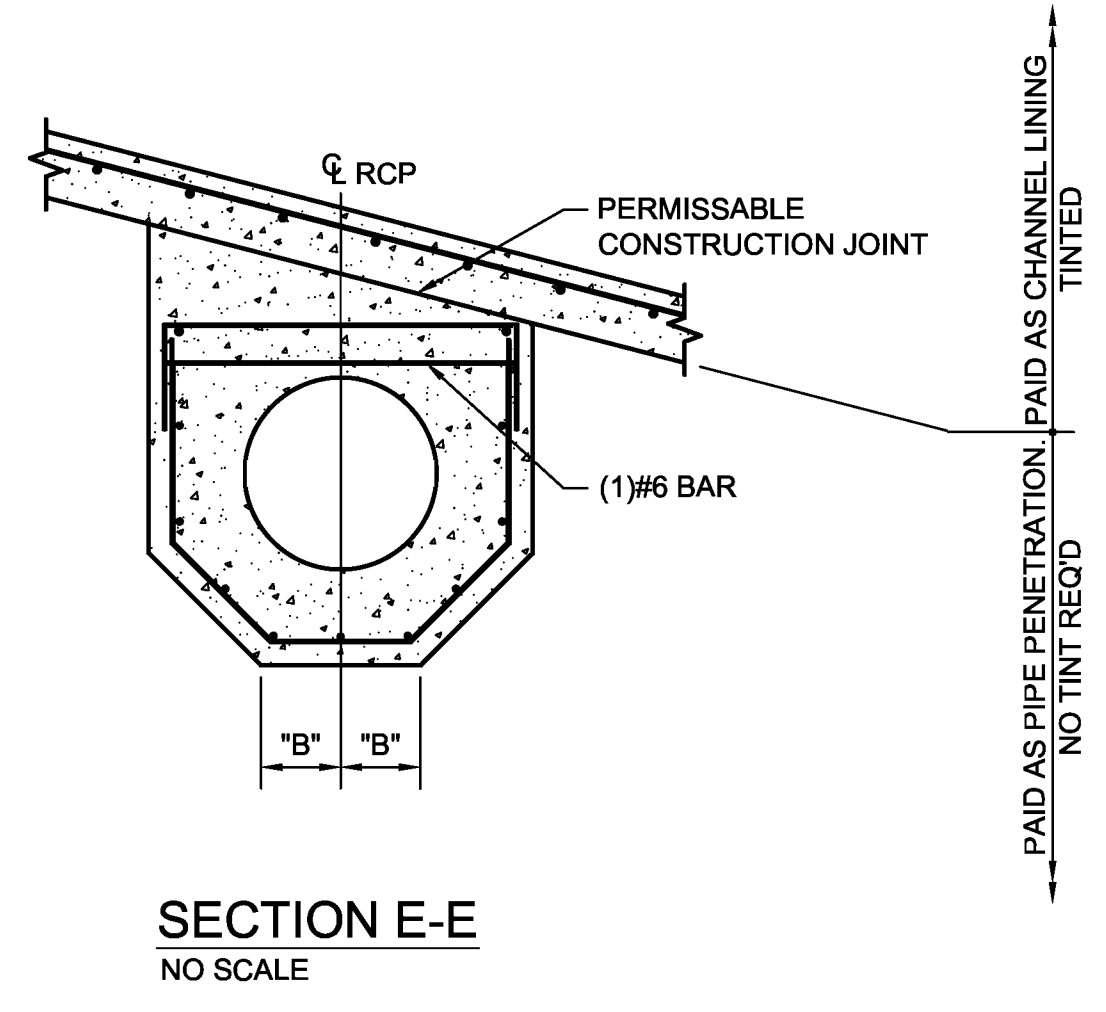
**SECTION F-F**  
NO SCALE



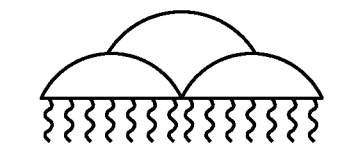
**SECTION C-C**  
NO SCALE



**SECTION D-D**  
NO SCALE



**SECTION E-E**  
NO SCALE

  
**ALBUQUERQUE METROPOLITAN**  
**ARROYO FLOOD CONTROL AUTHORITY**  
 AMAFCA  
 STANDARD DETAILS  
 RCP CHANNEL PENETRATION  
 PIPE DIAMETER > 12", < 45° SKEW

REV	DATE	DESCRIPTION	CHKD

DRAWING NO. 104      MAP NO.      SHEET      OF