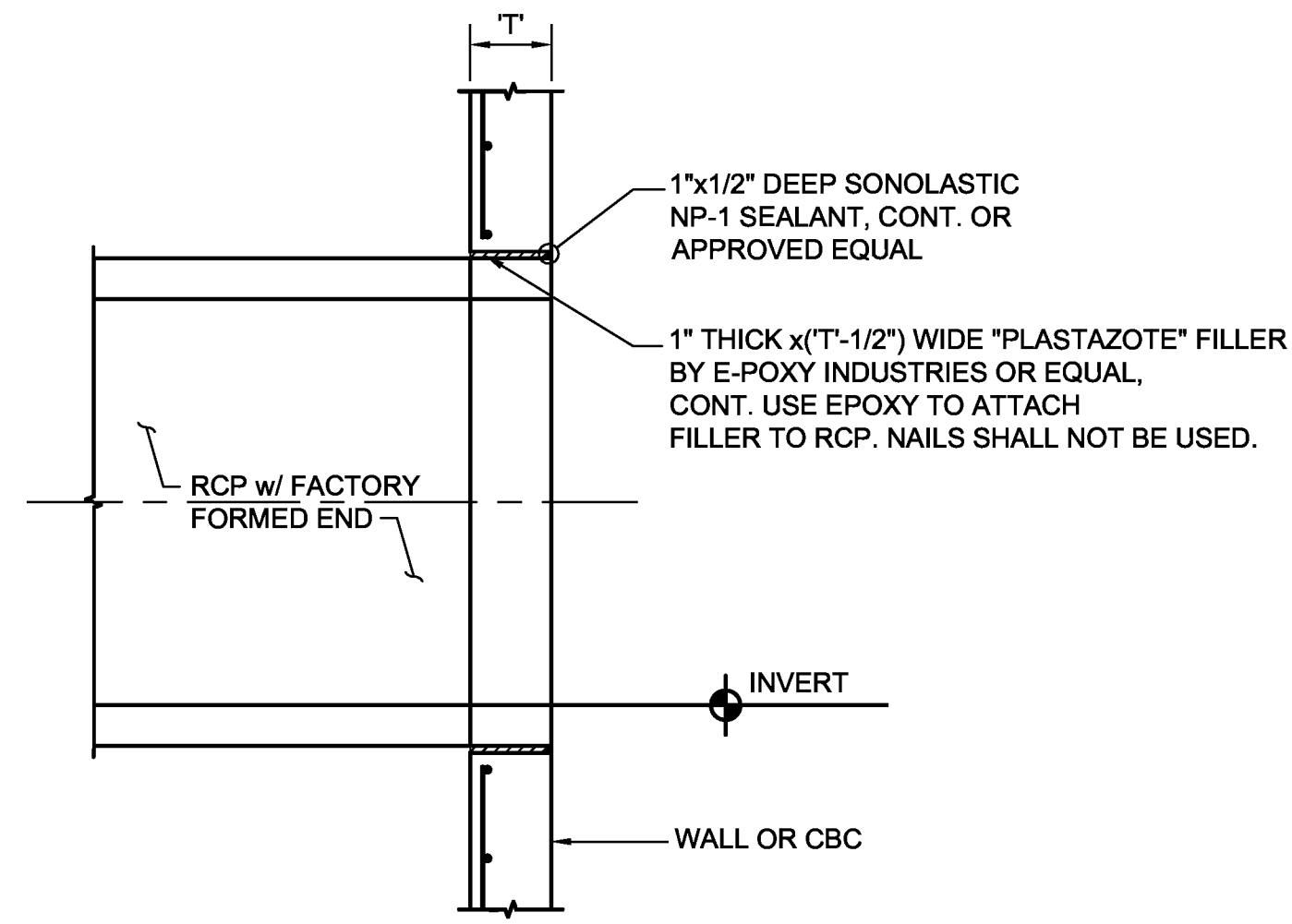
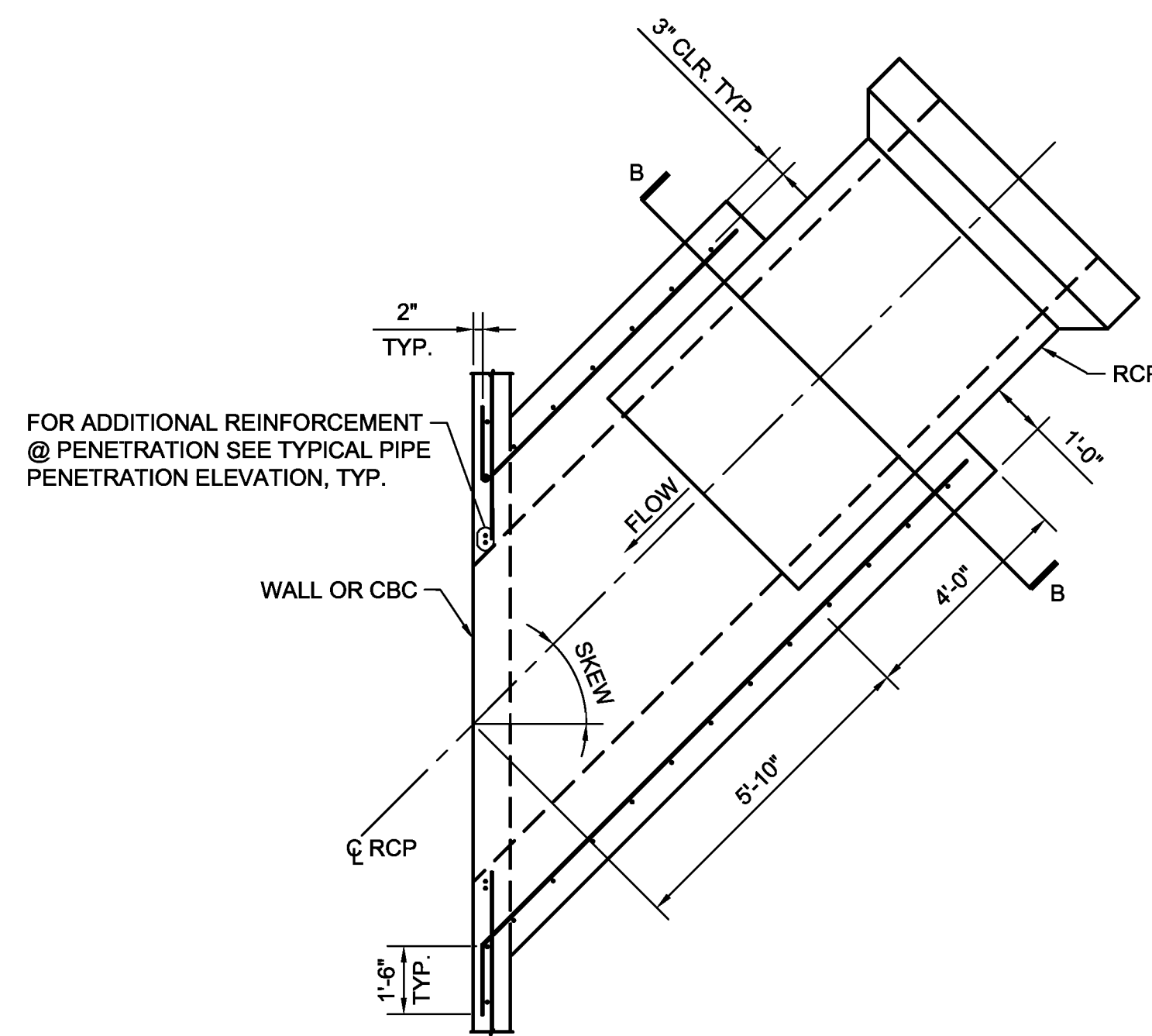


TYPICAL PIPE PENETRATION INTO WALL OR CBC, 0° SKEW

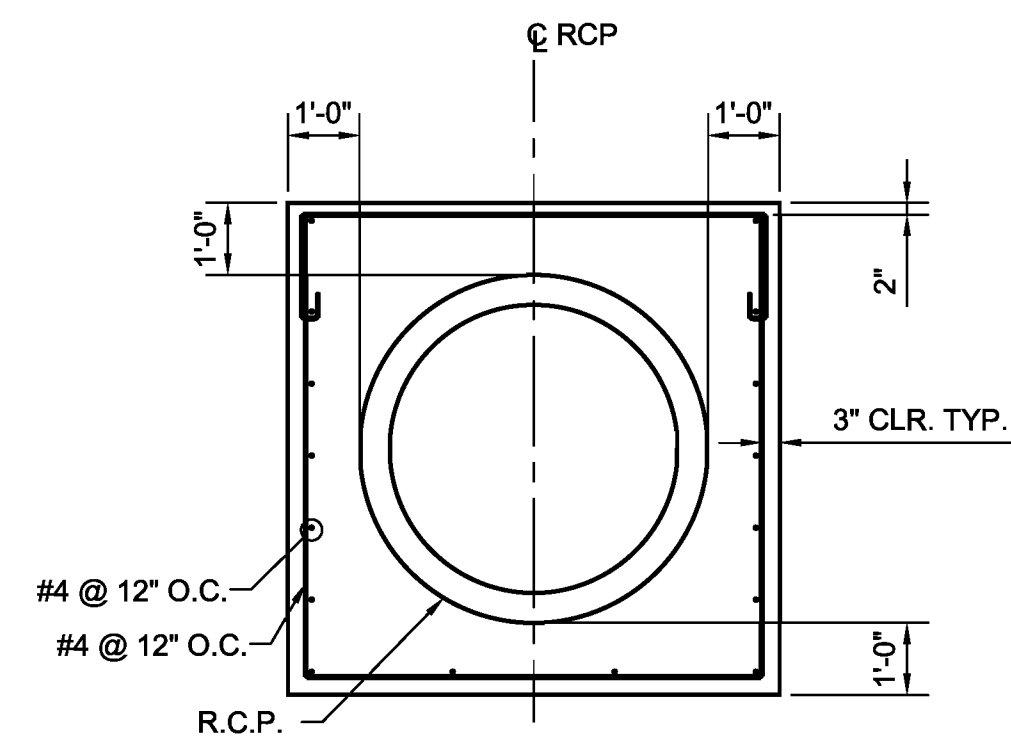


PIPE PENETRATION SECTION A-A

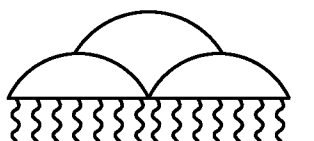
NOTE:
WHERE OBSTRUCTED BY ADJOINING WALL, SLAB, OR NEAR AN EDGE, CONTRACTOR SHALL AVOID CONFLICT BY PROVIDING STANDARD HOOKS ON ADDITIONAL REINFORCING BARS.



TYPICAL PIPE PENETRATION INTO WALL OR CBC, 45° SKEW MAX.



PIPE PENETRATION SECTION B-B



**ALBUQUERQUE METROPOLITAN
ARROYO FLOOD CONTROL AUTHORITY**

AMAFCA
STANDARD DETAILS

PIPE PENETRATIONS
INTO WALL OR CBC WITH 0° TO 45° SKEW

REV	DATE	DESCRIPTION	CHKD

DRAWING NO.	105	MAP NO.	SHEET OF
-------------	-----	---------	----------