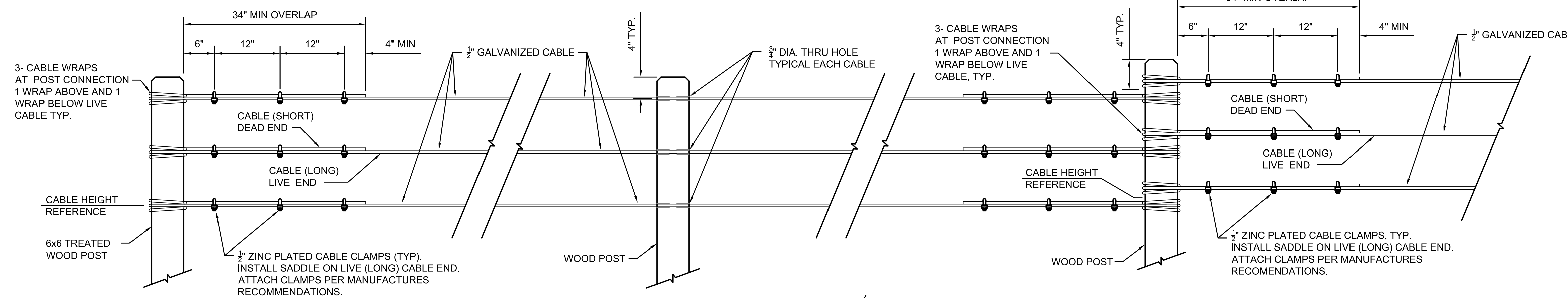


TENSION / END POST / CORNER POST
6x6 TREATED WOOD TYP. NOT TO SCALE

INTERMEDIATE POST
6x6 TREATED WOOD TYP. NOT TO SCALE



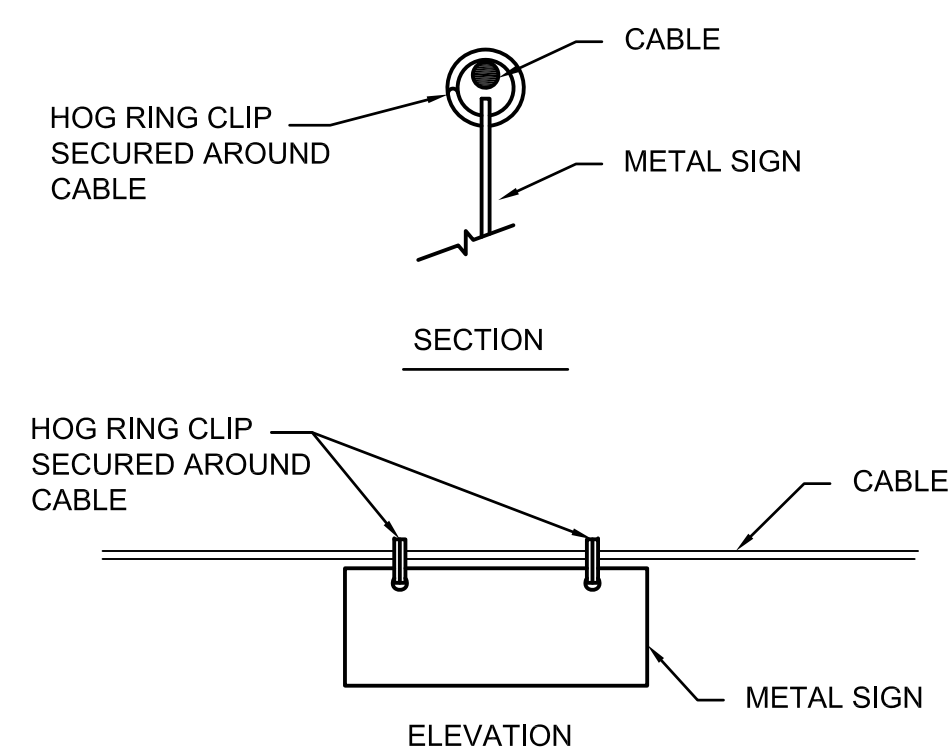
TYPICAL END POST CONNECTION DETAIL
NOT TO SCALE

TYPICAL INTERMEDIATE POST CONNECTION DETAIL
NOT TO SCALE

TYPICAL TENSION / CORNER POST SPLICE DETAIL
NOT TO SCALE

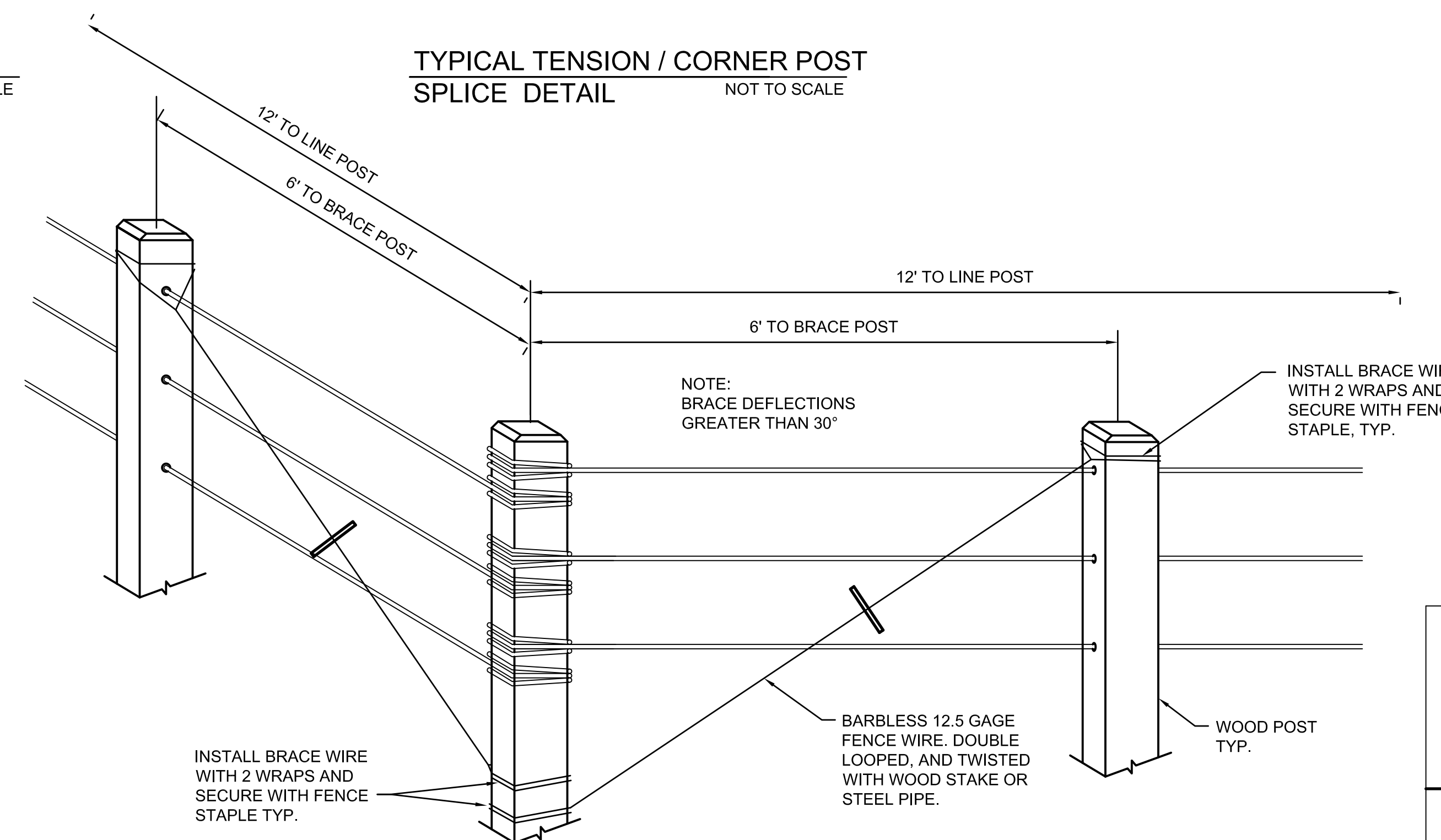
NOTES FOR WOOD POST AND CABLE FENCE

1. ALL POSTS SHALL BE 6x6 SQUARE TREATED WOOD MIN.
2. 3/4 INCH DIA. HOLES FOR CABLE SHALL BE THRU HOLES DRILLED THRU THE CENTER OF POST AND PREPARED PRIOR TO PAINTING.
3. ALL WOOD POSTS SHALL BE PRIMED WITH 2 COATS OF DUNN-EDWARDS ULTRA-GRIP MULTI-SURFACE UGPR00-1 EXTERIOR PRIMER. FINISH COAT SHALL BE 1 COAT OF DUNN-EDWARDS ARISTOSHIELD EXTERIOR EGGSHELL PAINT ASHL30 OR APPROVED EQUAL. COLOR OF FINAL COAT SHALL BE "PLANET TEAL".
4. STEEL CABLE SHALL BE 1/2 INCH DIA. GALVANIZED 6x19 WIRE ROPE OR APPROVED EQUIVALENT. CABLE TENSION SHALL BE TENSIONED TO 100 LBS. OR TO PROVIDE 1 INCH OF SAG BETWEEN SPANS.
5. MISCELLANEOUS HARDWARE, CLAMPS AND BOLTS SHALL BE GALVANIZED OR ZINC PLATED.
6. NUMBER OF CABLES WILL BE AS CALLED FOR IN CONSTRUCTION PLANS OR AS CALLED FOR IN THE BID FORM.
7. PEDESTRIAN ACCESS, EQUESTRIAN ACCESS, AND ACCESS CONTROL GATES SHALL BE IN ACCORDANCE TO AMAFCA STD. DETAIL 202.
8. IN LIEU OF END POST AT ACCESS LOCATIONS, TIE CABLE TO GATE AND ACCESS POSTS.
9. TENSION POSTS SHALL BE PLACED EVERY 120 FEET (AS INDICATED), AT EVERY POINT OF INFLECTION (PI), CORNER POSTS, AND ON SIDES OF WATER CROSSINGS.



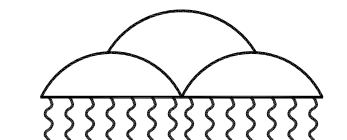
SIGN ATTACHMENT DETAIL
NOT TO SCALE

NOTE: METAL SIGN SIZE, SHAPE, AND TEXT TO BE PROVIDED BY AMAFCA.



BRACING AT CORNER OR INFLECTION POINT DETAIL
NOT TO SCALE

NOTE: ANGLE BRACING REQUIRED FOR 2- OR 3- CABLE FENCE CORNERS AND ANGLE DEFLECTIONS GREATER THAN 30°


ALBUQUERQUE METROPOLITAN
ARROYO FLOOD CONTROL AUTHORITY
 AMAFCA
 STANDARD DETAILS
 CABLE FENCE
 WOOD POST DETAILS

REV	DATE	DESCRIPTION	CHKD

DRAWING NO.	205	MAP NO.	SHEET OF
-------------	-----	---------	----------