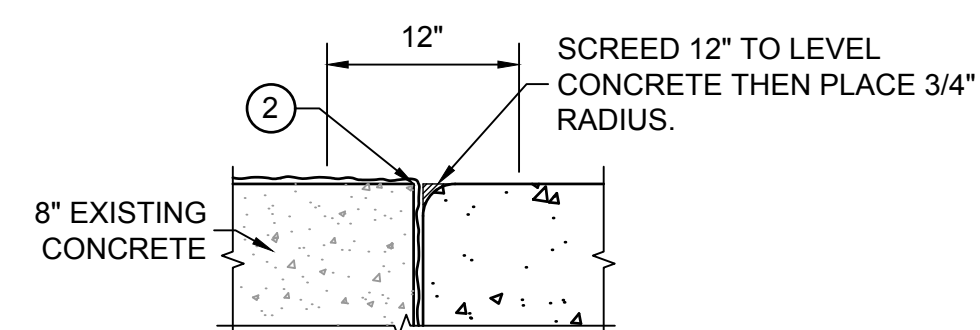


**NOTES FOR SHOTCRETE CHANNEL CONSTRUCTION**

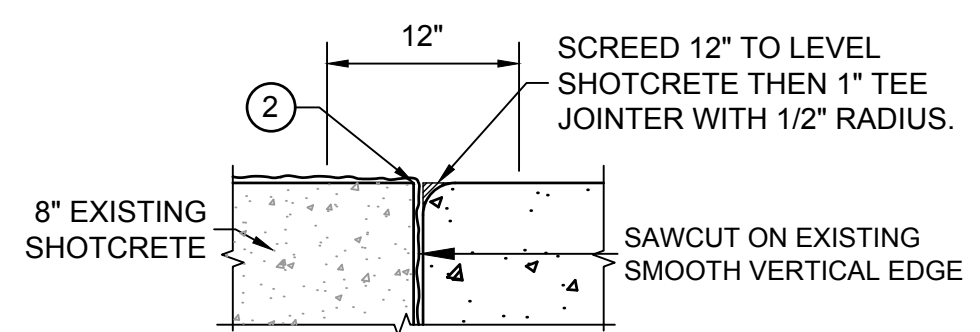
- SHOTCRETE: CONCRETE SHALL BE IN ACCORDANCE WITH PROJECT SPECIFICATIONS. (f<sub>c</sub> = 4000 psi MINIMUM). 3/4" CHAMFER ON ALL EXPOSED FORMED EDGES UNLESS NOTED OTHERWISE.
- REINFORCING STEEL: STEEL REINFORCEMENT AND PLACEMENT SHALL BE IN ACCORDANCE WITH PROJECT SPECIFICATIONS AND SHALL CONFORM TO ASTM A615, GRADE 60. ALL LAP SPLICES SHALL BE CLASS "B" UNLESS NOTED OTHERWISE. REINFORCING STEEL SHALL BE INCIDENTAL TO CONCRETE BID ITEMS.
- ALL EXPOSED CONCRETE SHALL BE TINTED WITH SAN DIEGO BUFF (DAVIS COLOR 5237) AT THE REDUCED DOSAGE OF 1 LB PER SACK OF CEMENT, OR APPROVED EQUAL. TINT SHALL BE INCIDENTAL TO THE COST OF THE RESPECTIVE CONCRETE.
- NEW TO EXISTING CHANNEL CONSTRUCTION: EUCCO ARC LITHIUM NITRATE OR APPROVED EQUAL TREATMENT IS REQUIRED FOR ANY EXISTING CONCRETE CHANNELS. SEE DETAILS FOR INSTALLATION REQUIREMENTS, THIS SHEET.
- MINIMUM REBAR LAP LENGTH (CLASS B LAPS):  
 #4 = 24"  
 #5 = 26"  
 #7 = 43"  
 #8 = 54"
- THE EARTH SIDE OF SILL WALLS SHALL BE WATERPROOFED AT IRRIGATED AREAS AND DAMP PROOFED AT ALL OTHER AREAS. WATERPROOFING SHALL BE CONWRAP BARRIER CS-212 AS MANUFACTURED BY CONCRETE SEALANTS, INC. (MEMBRANE THICKNESS 0.100 INCHES MINIMUM) OR APPROVED EQUAL. DAMP PROOFING SHALL BE HYDROCID 700B OR APPROVED EQUAL.
- FOR SILL WALL AND CUT OFF WALL DETAILS SEE SHEET C-102.

**KEYED NOTES**

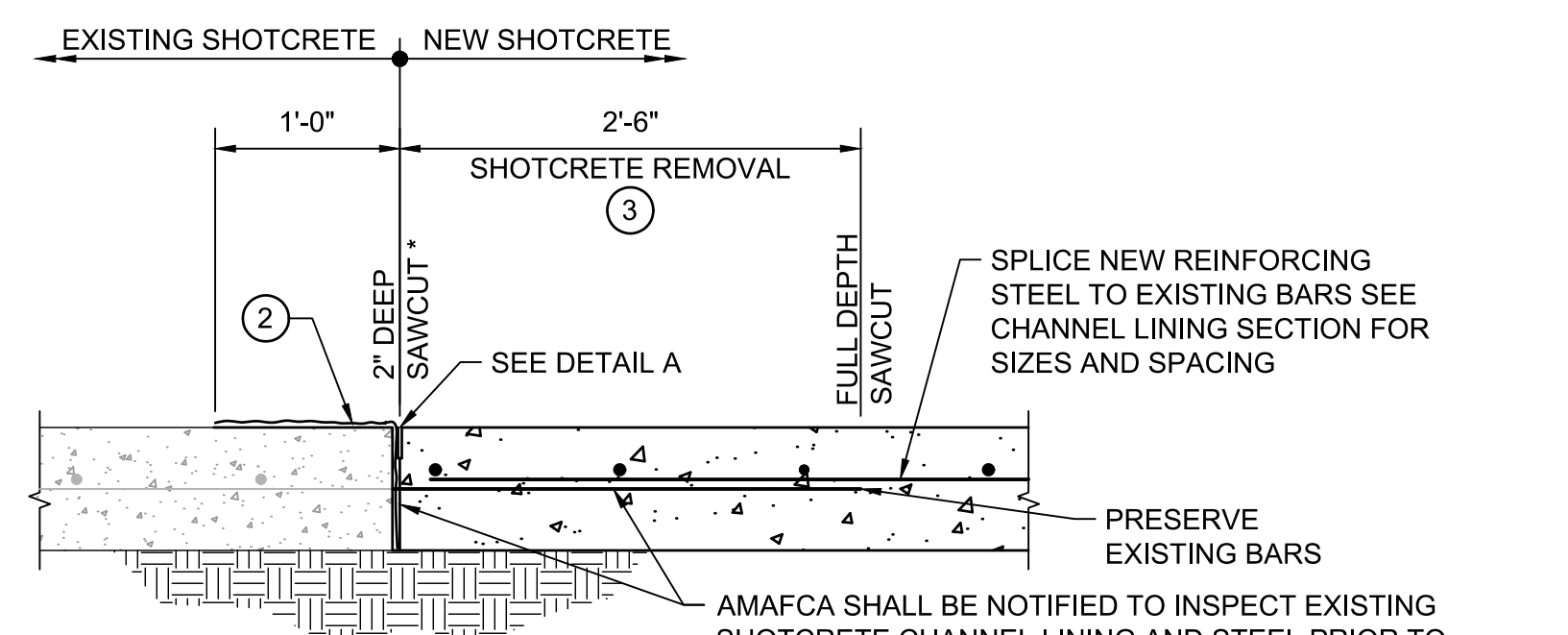
- NATIVE RE-VEGETATION. SEE CITY OF ALBUQUERQUE SPECIFICATION SECTION 1012. GRAVEL MULCH IS REQUIRED FOR SLOPES GREATER THAN 3H:IV.
- EUCCO ARC LITHIUM NITRATE COATING OR APPROVED EQUAL APPLIED TO VERTICAL SURFACE AND 12" OF TOP SURFACE OF EXISTING CONCRETE TO REMAIN.
- REMOVAL OF CONCRETE ADJACENT TO THE 2" SAWCUT WILL BE WITH A 30 LB. MAX. PNEUMATIC HAMMER. IN THE EVENT OF DAMAGE TO THE CONCRETE TO REMAIN, THE CONTRACTOR SHALL RE SAW THE 2" JOINT AND REMOVE AND REPLACE THAT CONCRETE AT NO COST.



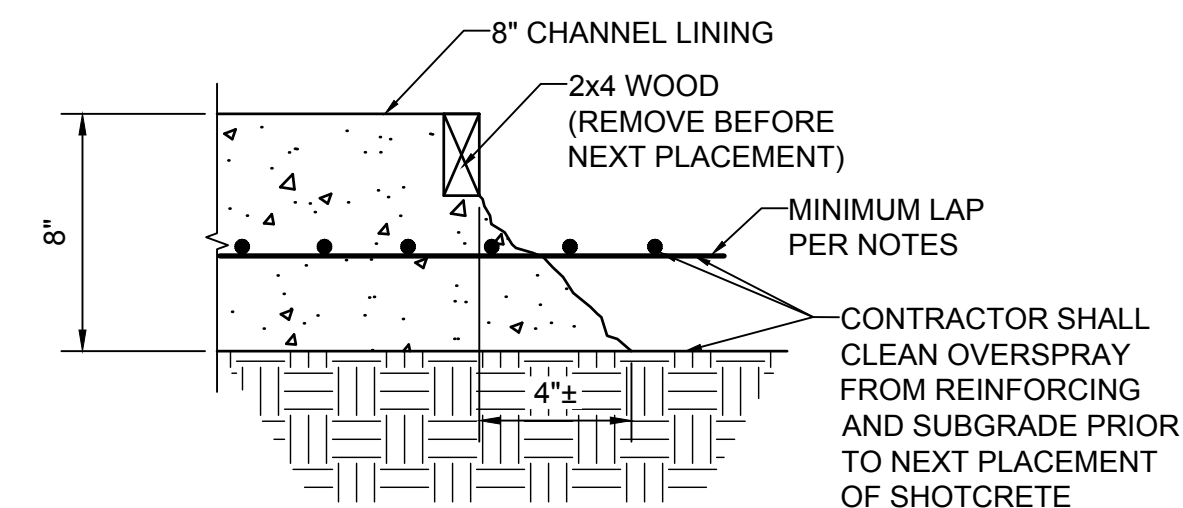
**STANDARD PLACE CONCRETE TO NEW SHOTCRETE JOINT DETAIL**



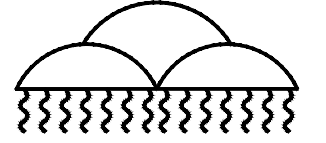
**EXISTING SHOTCRETE TO NEW SHOTCRETE**



**NEW TO EXISTING CHANNEL LINING CONSTRUCTION JOINT**



**8" SHOTCRETE TYPICAL CONSTRUCTION JOINT**

 <b>ALBUQUERQUE METROPOLITAN ARROYO FLOOD CONTROL AUTHORITY</b>			
<b>AMAFCA STANDARD DETAILS</b>			
<b>SHOTCRETE CHANNEL STRUCTURE SECTIONS AND DETAILS</b>			
REV	DATE	DESCRIPTION	CHKD
DRAWING NO. <b>C-102S</b>		MAP NO.	SHEET <b>OF</b>

ISSUE DATE: 2-14-2020